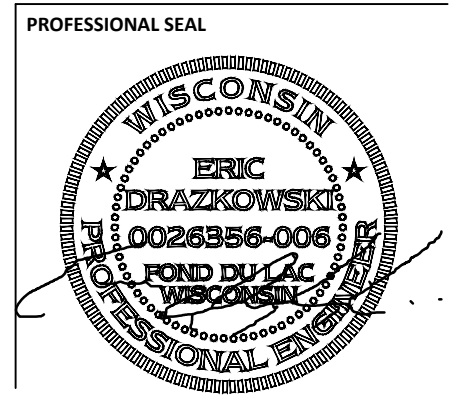


SPECIFICATION NOTE:
SEE SHEET C0.1 FOR PLAN
SPECIFICATIONS AND REQUIREMENTS

PROJECT INFORMATION

PROPOSED MASTER PLAN FOR:
MONTESSORI SCHOOL OF WAUKESHA
2600 SUMMIT AVE. • WAUKESHA, WI 53188



PRELIMINARY DATES

FEB. 22, 2021

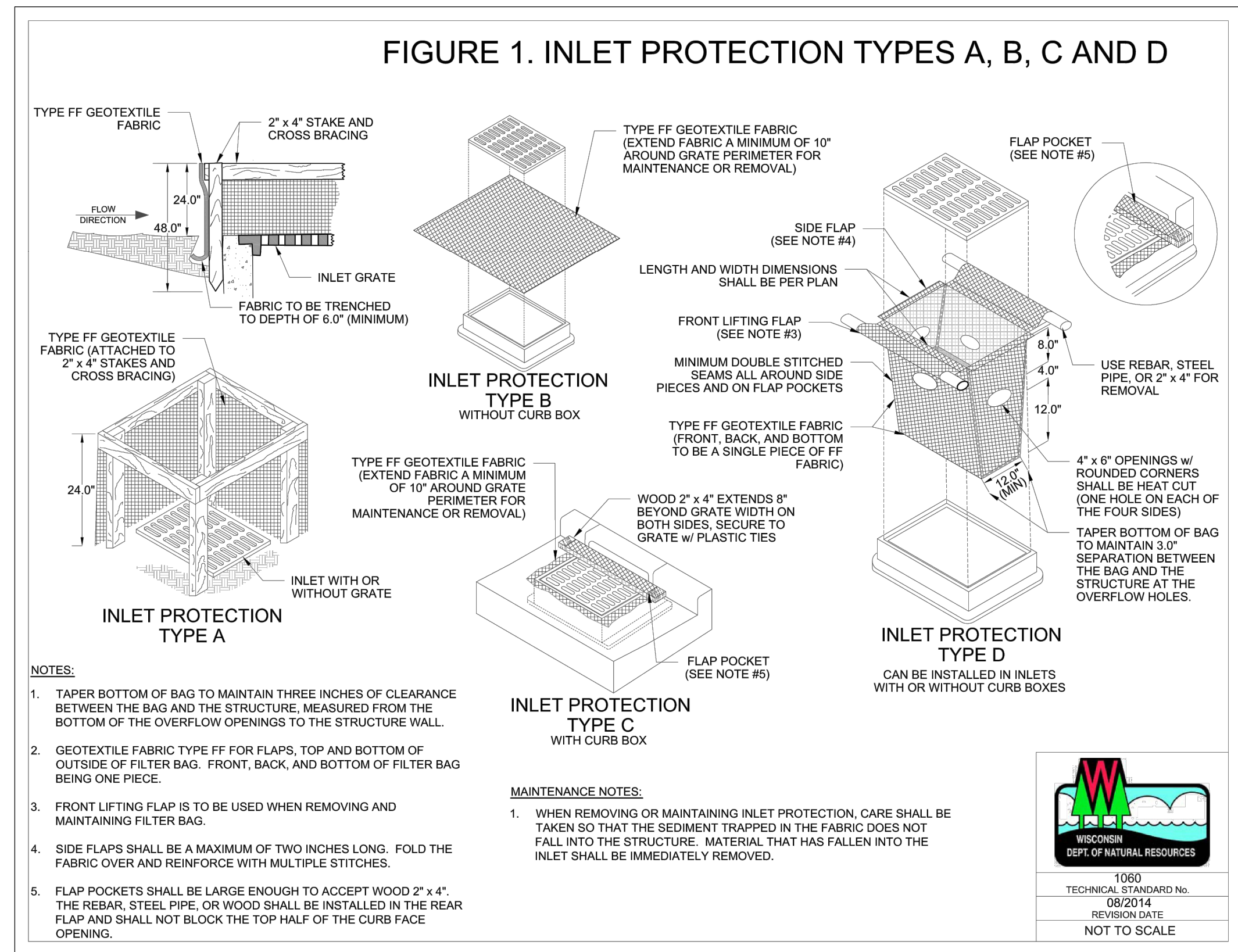
NOT FOR CONSTRUCTION

JOB NUMBER

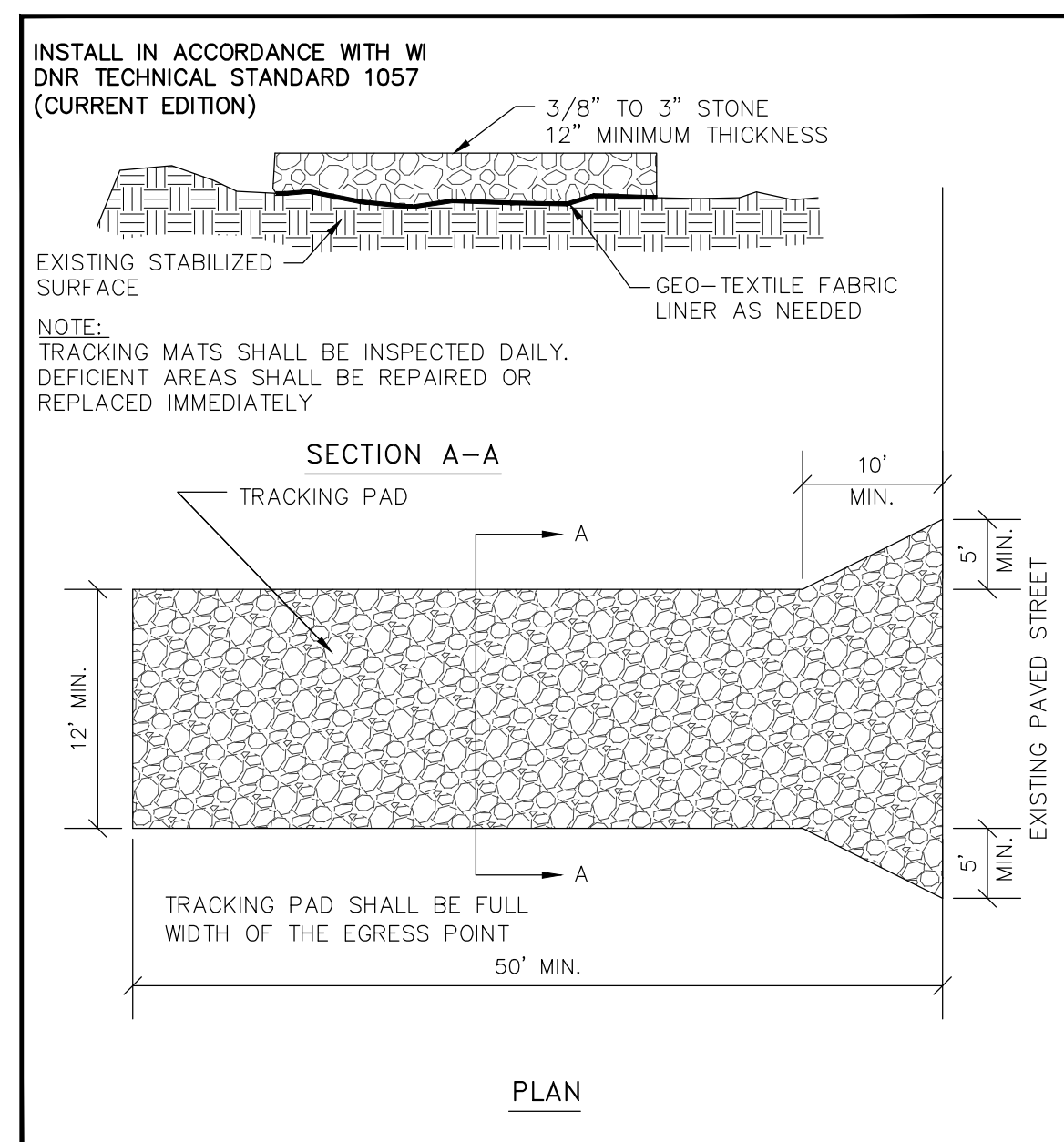
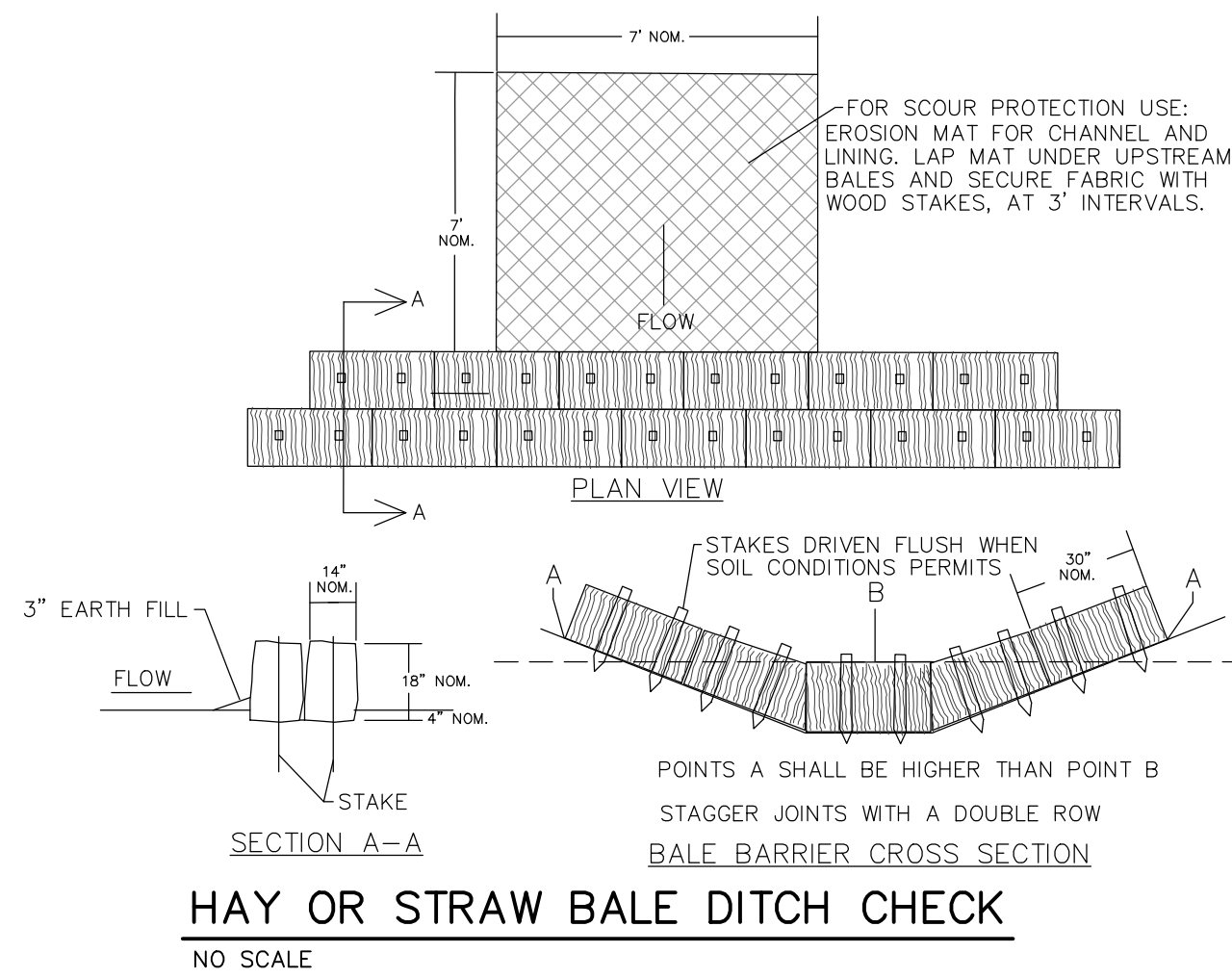
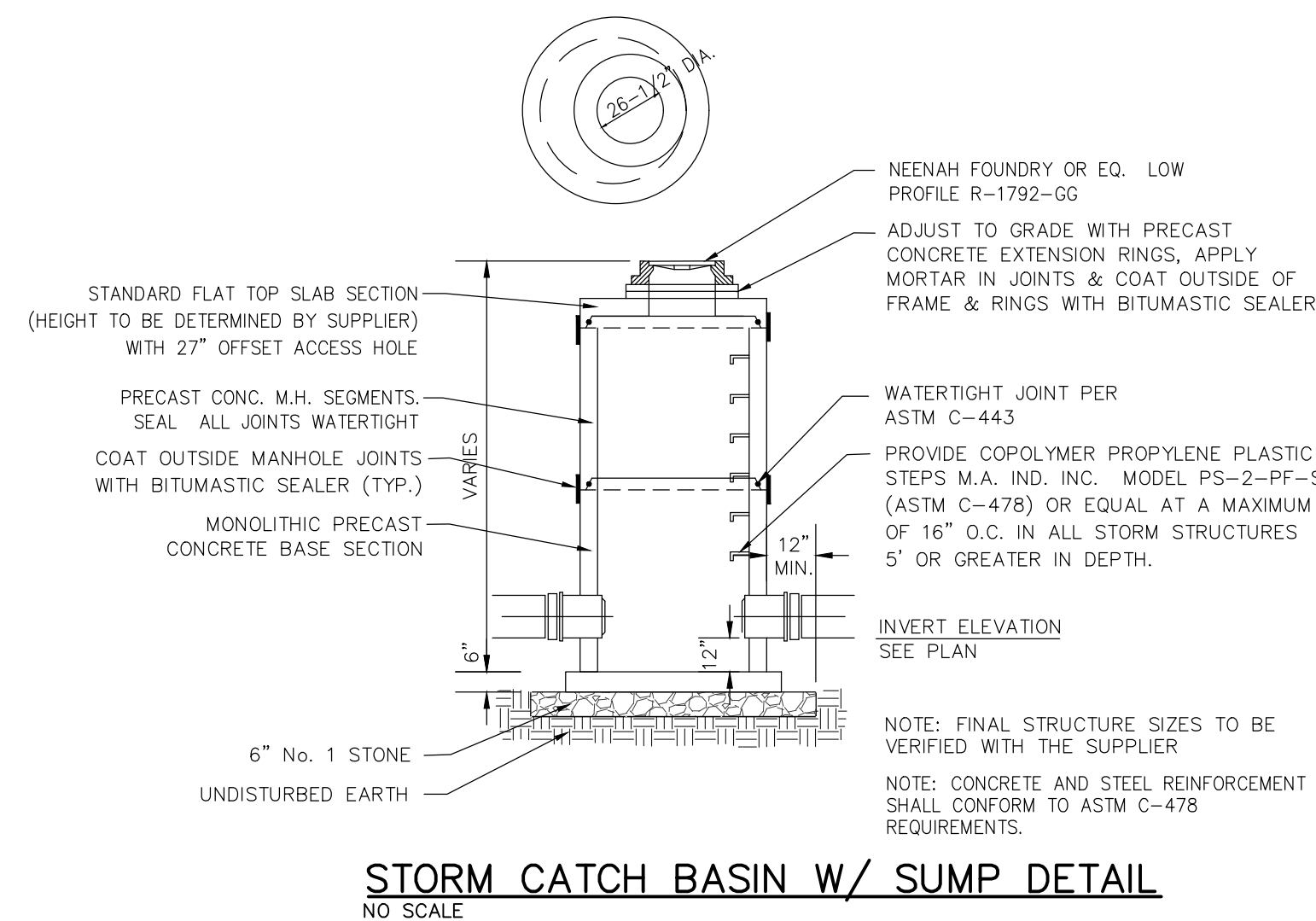
2053880

SHEET NUMBER

C2.0



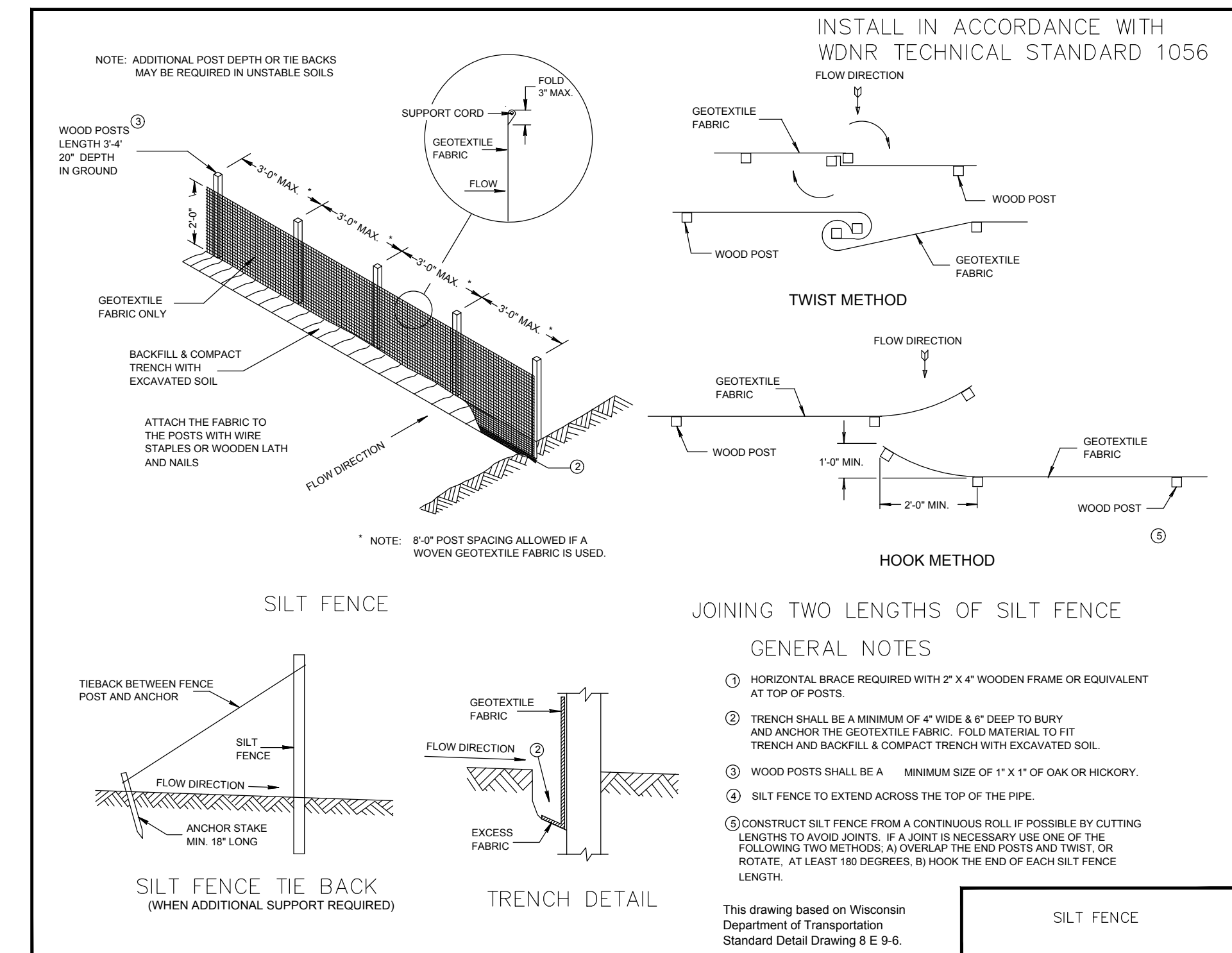
INLET PROTECTION DETAIL
NO SCALE



TRACKPAD DETAILS
NO SCALE

CONSTRUCTION SEQUENCE		CONSTRUCTION START: 04/01/2021	CONSTRUCTION END: 09/01/2021
PHASE	TYPE OF ACTION		
1. PRE-CONSTRUCTION ACTION	<ol style="list-style-type: none"> CONTRACTOR TO CALL DIGGERS HOTLINE AT A MINIMUM OF 3 DAYS PRIOR TO CONSTRUCTION. PLACE ALL SILT FENCE AND TEMPORARY EROSION CONTROL. CONSTRUCT TRACKING STONE ENTRANCES AS NEEDED. CONSTRUCT PERMANENT PERMANENT STORMWATER CONVEYANCE SYSTEMS. STABILIZE ALL TEMPORARY AND PERMANENT EROSION CONTROL AND STORMWATER CONVEYANCE SYSTEMS BEFORE TOPSOIL CAN BE STRIPPED. 		
2. CONSTRUCTION ACTION	<ol style="list-style-type: none"> SITE DEMOLITION AS REQUIRED. STRIP AND RELOCATE TOPSOIL TO THE DESIGNATED TOPSOIL STOCKPILE. FINAL LOCATION BY CONTRACTOR (VERIFY W/ OWNER). PROVIDE PERIMETER SILT FENCE UNTIL STABILIZED. BEGIN MASS EARTH WORK FOR THE BUILDING PAD AND PAVEMENT AREAS. CONSTRUCT ANY REMAINING STORMWATER CONVEYANCE SYSTEMS, AND INSTALL ALL OTHER UTILITIES ON SITE. DIG AND POUR ALL BUILDING FOOTINGS. PLACE GRAVEL FOR ALL PROPOSED PAVEMENT AREAS, INCLUDING FIRE LANES. TOPSOIL, SEED, AND MULCH ALL DISTURBED AREAS OUTSIDE THE BUILDING AND PROPOSED PAVEMENT AREAS. CONSTRUCT BUILDING. PAVE DRIVEWAYS AND PARKING AREAS. TOPSOIL, SEED, AND MULCH ALL OTHER DISTURBED AREAS. PLACE EROSION MATTING AND RIP RAP. 		
3. POST CONSTRUCTION ACTION	<ol style="list-style-type: none"> CONTRACTOR TO REMOVE TEMPORARY EROSION CONTROL MEASURES UPON SITE STABILIZATION. SEE THE POST CONSTRUCTION MAINTENANCE PLAN FOR PERMANENT STORMWATER MANAGEMENT SYSTEMS. 		

CONTRACTOR TO FOLLOW THE EROSION CONTROL SPECIFICATIONS FOR CONSTRUCTION EROSION CONTROL INSPECTION AND MAINTENANCE.



SILT FENCE - INSTALLATION DETAIL
NO SCALE