

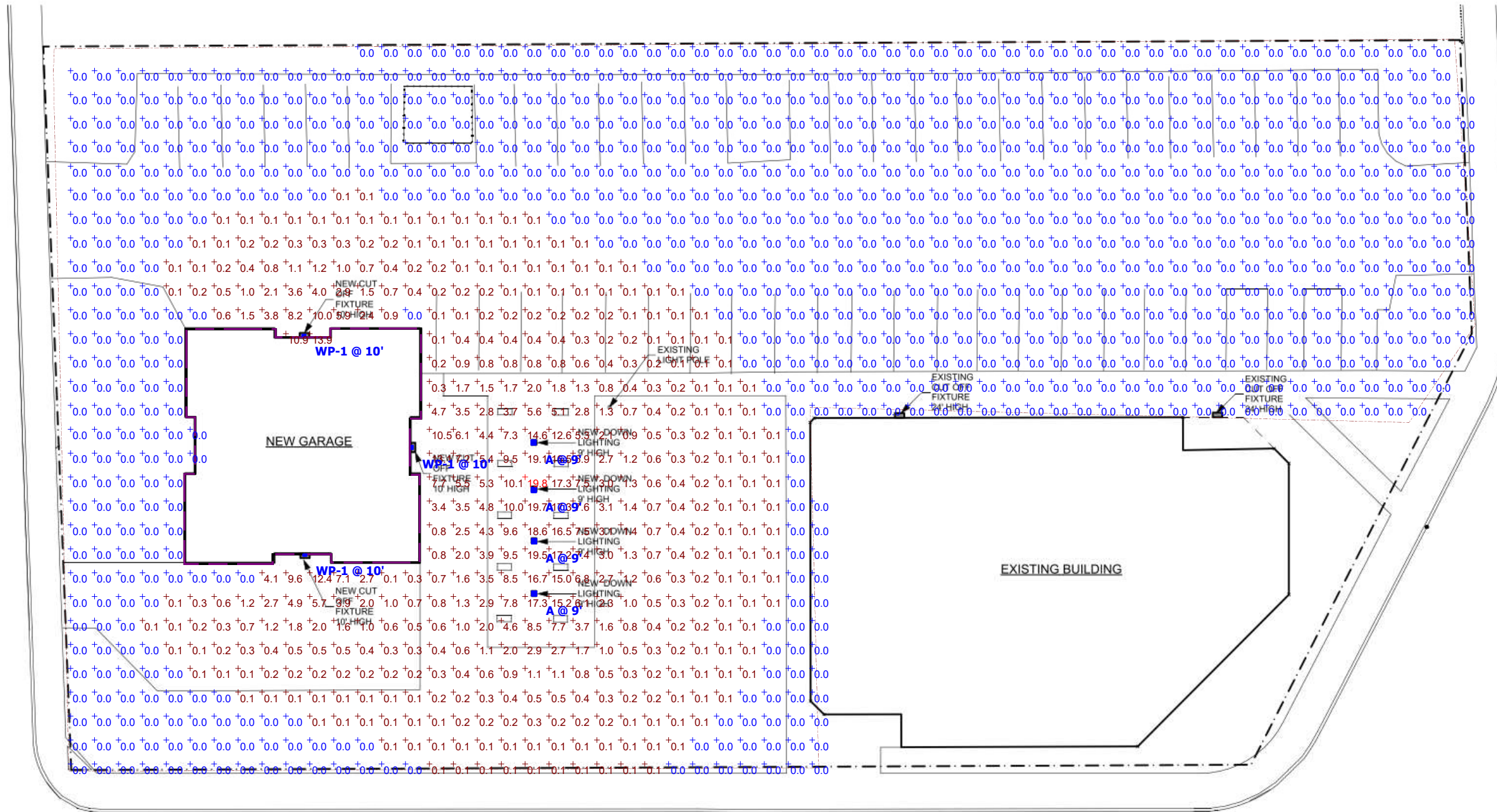


Hope Center

Designer

Date
08/23/2022
Scale
Not to Scale
Drawing No.

Summary



Plan View

Scale - 1" = 25ft

Symbol	Label	Image	Quantity	Manufacturer	Catalog Number	Description	Number Lamps	Lumens Per Lamp	Light Loss Factor	Wattage
WP-1	WP-1		3	RAB Lighting Inc.	SLM17FA15ADJ_4K at 0% CCT Setting		1	3813	0.9	28.44
A	A		4	Lithonia Lighting	CNY LED P1 40K MVOLT	Contractor Select CNY LED Canopy P1=4,500lm	108	4476	0.9	35.36

Statistics

Description	Symbol	Avg	Max	Min	Max/Min	Avg/Min
Calc Zone #1	+	0.6 fc	19.8 fc	0.0 fc	N/A	N/A



Color: Bronze

Weight: 3.0 lbs

Project:	Type:
Prepared By:	Date:

Driver Info		LED Info	
Type	Constant Current	Watts	30W
120V	0.25A	Color Temp	3000K/4000K/5000K
208V	0.20A	Color	70 CRI
240V	0.15A	Accuracy	
277V	0.12A	L70 Lifespan	100,000 Hours
Input Watts	29.4/28.4/29.7W	Lumens	3540/3813/3768
		Efficacy	120.5/134.1/127 lm/W

Technical Specifications

Field Adjustability

Field Adjustable:

Color temperature selectable by 3000K, 4000K and 5000K

Compliance

UL Listed:

Suitable for wet locations

IESNA LM-79 & LM-80 Testing:

RAB LED luminaires and LED components have been tested by an independent laboratory in accordance with IESNA LM-79 and LM-80.

DLC Listed:

This product is listed by Design Lights Consortium (DLC) as an ultra-efficient premium product that qualifies for the highest tier of rebates from DLC Member Utilities. Designed to meet DLC 5.1 requirements.

DLC Product Code: PL8HS37YLUB0

Performance

Lifespan:

100,000-Hour LED lifespan based on IES LM-80 results and TM-21 calculations

LED Characteristics

LEDs:

Long-life, high-efficiency, surface-mount LEDs

Electrical

Driver:

Constant Current, Class 2, 120-277V, 50/60 Hz, 120V: 0.25A, 208V: 0.20A, 240V: 0.15A, 277V: 0.12A

Dimming Driver:

Driver includes dimming control wiring for 0-10V dimming systems. Requires separate 0-10V DC dimming circuit. Dims down to 10%.

Photocell:

120-277V Integrated button photocell included.

Note:

All values are typical (tolerance +/- 10%)

Construction

IP Rating:

Ingress protection rating of IP65 for dust and water

Cold Weather Starting:

The minimum starting temperature is -40°C (-40°F)

Maximum Ambient Temperature:

Suitable for use in up to 50°C (122°F)

Housing:

Precision die-cast aluminum housing and door frame

Technical Specifications (continued)

Construction

Lens:

Polycarbonate lens

Mounting:

Hinged wiring access and conduit entries on the back, sides, top and bottom make installation a snap

Cut Off:

Adjustable from 0° (full cutoff) to 90°. 7 settings at 15° each.

Finish:

Formulated for high durability and long-lasting color

Green Technology:

Mercury and UV free. RoHS-compliant components.

Other

5 Yr Limited Warranty:

The RAB 5-year, limited warranty covers light output, driver performance and paint finish. RAB's warranty is subject to all terms and conditions found at rablighting.com/warranty.

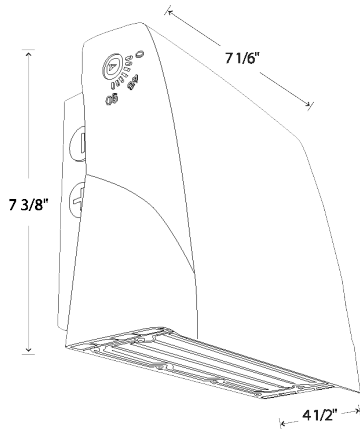
Equivalency:

Equivalent to 175W Metal Halide

Buy American Act Compliance:

RAB values USA manufacturing! Upon request, RAB may be able to manufacture this product to be compliant with the Buy American Act (BAA). Please contact customer service to request a quote for the product to be made BAA compliant.

Dimensions



Features

- Selectable CCT
- Adjustable cutoff
- Integrated photocell
- 0-10V dimming standard

Ordering Matrix

Family	Wattage	Style
SLIM17FA	30	ADJ

15 = 15W
30 = 30W
ADJ = Angle Adjustable



Catalog Number
Notes
Type

Contractor Select™
CNY LED
 Canopy Lighting



The CNY LED canopy luminaires are versatile, energy-efficient solutions for surface-mount applications. Available in two sizes, these luminaires can replace a wide range of existing canopy luminaires; anything from CFL to 400W metal halide. An LED array light source coupled with a translucent polycarbonate lens creates visually comfortable illumination that is far superior to similar products that use a single bright LED and clear lenses. Smooth sides greatly enhance the aesthetic of this product making suitable for wider range of applications than industrial-looking finned products.

FEATURES:

- Energy efficient – Can save up to 80% when replacing metal halide
- LED array light source and translucent lens for visually comfortable illumination
- Quick-mount feature eliminates the need to open luminaire for installation
- DLC Premium listed



Catalog Number	UPC	Description	Replaces Up To	Lumens	Wattage	CCT	Voltage	Finish	Pallet qty.
CNY LED P1 40K MVOLT DDB M4	191848093320	CANOPY LUMINAIRE	150W METAL HALIDE	4,500	35W	4000K	120-277V	DARK BRONZE	48
CNY LED P2 40K MVOLT DDB M4	191848093344	CANOPY LUMINAIRE	250W METAL HALIDE	6,600	52W	4000K	120-277V	DARK BRONZE	48

Accessories: *Ordered and shipped separately.*
 CNYBCP 14 Inch x 14 Inch Beauty Cover Plate



Specifications

INTENDED USE:

CNY LED canopy luminaires are ideal for surface mount applications such as canopies over building entrances, walkways, loading docks and covered parking areas. The product's traditional style does not detract from current building aesthetics, creating a seamless upgrade. These products are ideal energy-efficient replacements of existing surface-mount products; from compact fluorescent to 250W metal halide.

CONSTRUCTION:

CNY LED canopy luminaires have a cast-aluminum housing with a polyester powder coat finish for lasting durability. Translucent polycarbonate lens is designed for uniform light distribution while providing visually comfortable illumination. The lens is sealed to the housing with a one-piece gasket to prevent the entrance of insects or external contaminants. Available in two sizes: 10" x 10" (P1, P2).

ELECTRICAL:

The CNY LED canopy luminaires use an array of LED's on a metal core circuit board, creating a dispersed light source which reduces surface brightness. High-efficiency LEDs maintain 70% of light output at 50,000 hours of service life (L70/50,000 hours). A Correlated Color Temperature (CCT) of 4000K matches that of metal halide for seamless upgrade. CNY LED canopy luminaires use MVOLT (120-277V) electronic driver that is 0-10V, capable of continuous dimming and ensure system power factor >90% and THD <20%. CNY is CRI 80.

INSTALLATION

The CNY LED canopy luminaires feature a quick-mount mechanism that makes mounting to a recessed junction box both quick and trouble-free. Luminaire leads exit the back of the casting through a water-tight connector. The quick-mount mechanism allows the electrical connections to be made and the luminaire fastened in place without the need for disassembling the luminaire. Three 3/4" NPT conduit entry points allow surface-conduit wiring. The luminaires can be also be pendant mounted with 3/4" NPT pendant stems (provided by others).

LISTINGS:

UL Listed to U.S. and Canadian safety standards for wet locations. Tested in accordance with IESNA LM-79 and LM-80 standards. DesignLights Consortium® (DLC) Premium qualified product and DLC qualified product. Not all versions of this product may be DLC Premium qualified or DLC qualified. Please check the DLC Qualified Products List at www.designlights.org/QPL to confirm which versions are qualified. Can be used to comply with California Title 24 Part 6 High Efficacy LED Light Source Requirements.

WARRANTY:

5-year limited warranty. This is the only warranty provided and no other statements in this specification sheet create any warranty of any kind. All other express and implied warranties are disclaimed. Complete warranty terms located at:

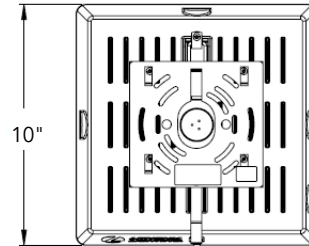
www.acuitybrands.com/support/warranty/terms-and-conditions

Note: Actual performance may differ as a result of end-user environment and application. All values are design or typical values, measured under laboratory conditions at 25 °C. Specifications subject to change without notice.

Dimensions

CNY LED P1/P2

Width: 10"
Height: 4 11/16"
Depth: 10"
Weight: 6.5lbs



All dimensions are inches (centimeters) unless otherwise indicated.