

SITE PLAN
1" = 80'-0"

- PROPOSED SIGNS:**
- #01 KWIK TRIP LETTERS (24" LED)
 - #02 KWIK TRIP LETTERS (24" LED)
 - #03 KWIK TRIP LETTERS (24" LED)
 - #04 KWIK TRIP LETTERS (24" LED)
 - #05 EXIT LETTERS (24" LED)
 - #06 ENTER LETTERS (24: LED)
 - #07 CNG PRICE SIGN
 - #08 DEF PRICE SIGN
 - #09 KWIK TRIP LETTERS (24" LED)
 - #10 DRIVEWAY DIRECTIONAL
 - #11 DRIVEWAY DIRECTIONAL
 - #12 DRIVEWAY DIRECTIONAL
 - #13 DRIVEWAY DIRECTIONAL
 - #14 DRIVEWAY DIRECTIONAL
 - #15 FREESTANDING PYLON SIGN
 - #16 CAT SCALE SIGN



STORES



STORES

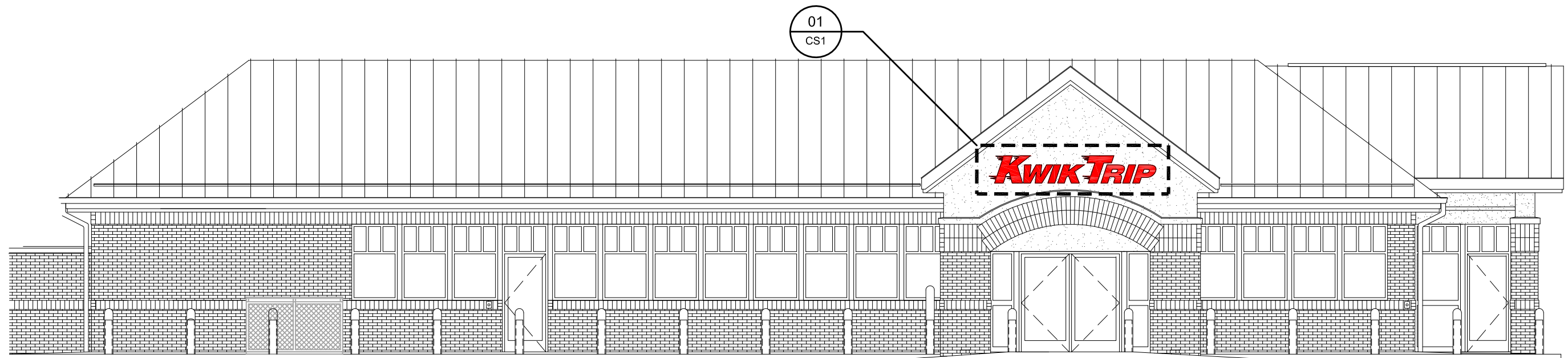
KWIK TRIP, Inc.
P.O. BOX 2107
1626 OAK STREET
LA CROSSE, WI 54602-2107
PH. (608) 781-8988
FAX (608) 781-8960

SITE PLAN
CONVENIENCE STORE #184
GOLF ROAD
WAUKESHA, WI

#	DATE	DESCRIPTION

DRAWN BY	SLL
SCALE	MULTIPLE
PROJ. NO.	0001
DATE	2015-03-10
SHEET	SP1





STORE ELEVATION

SCALE: 1/8" = 1'-0"

5" WHITE VINYL ADDRESS LETTERS
ON GLASS DOOR AS SHOWN ABOVE
(VERIFY ACTUAL NUMBERS)

**KWIK
TRIP**

STORES

**KWIK
STAR**

STORES

KWIK TRIP, Inc.
P.O. BOX 2107
1626 OAK STREET
LA CROSSE, WI 54602-2107
PH. (608) 781-8988
FAX (608) 781-8960



LOGO DETAIL - SIGN #01

SCALE: 1/2" = 1'-0"

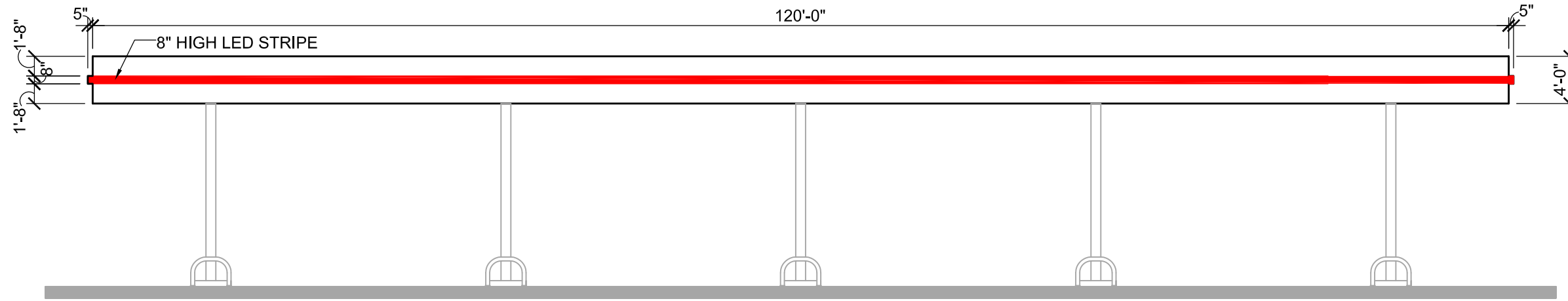
CONVENIENCE STORE SIGNAGE

CONVENIENCE STORE #184

GOLF ROAD
WAUKESHA, WI

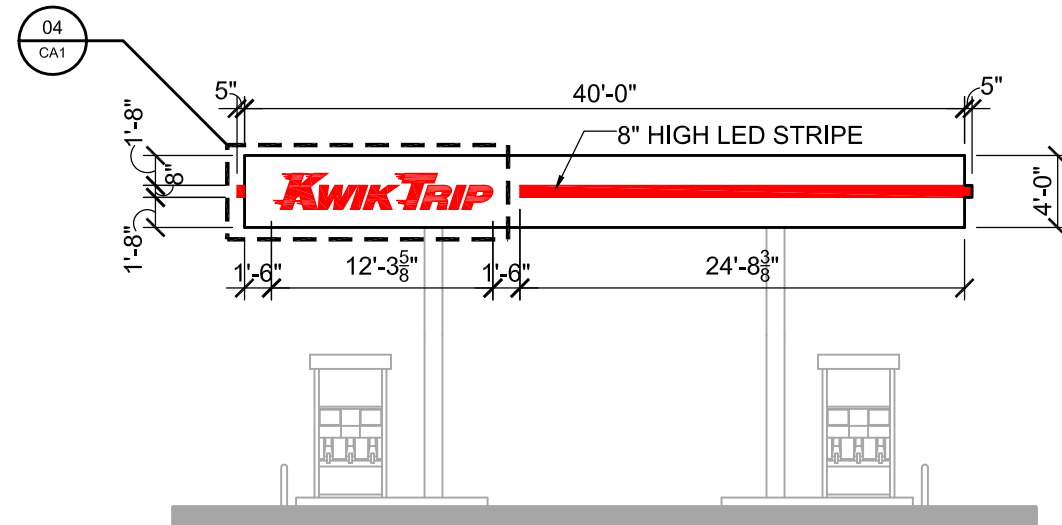
#	DATE	DESCRIPTION

DRAWN BY: SLL
SCALE: MULTIPLE
PROJ. NO.: 0001
DATE: 2015-03-10
SHEET: CS1



CANOPY ELEVATION

SCALE: 3/32" = 1'-0"



CANOPY ELEVATION

SCALE: 3/32" = 1'-0"



LOGO DETAIL - SIGN #04

SCALE: 1/2" = 1'-0"

**KWIK
TRIP**

STORES

**KWIK
STAR**

STORES

KWIK TRIP, Inc.
P.O. BOX 2107
1626 OAK STREET
LA CROSSE, WI 54602-2107
PH. (608) 781-8988
FAX (608) 781-8960

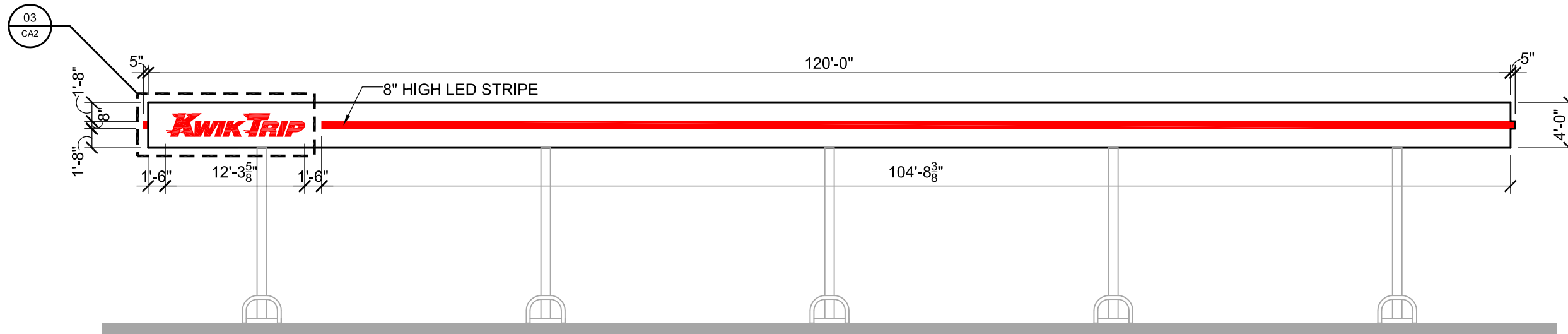
CANOPY SIGNAGE

CONVENIENCE STORE #184

GOLF ROAD
WAUKESHA, WI

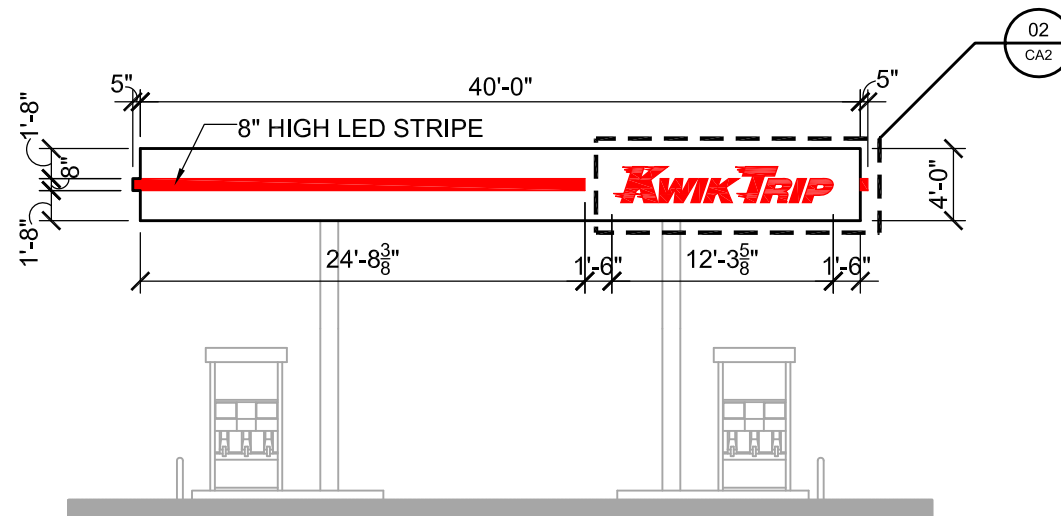
#	DATE	DESCRIPTION

DRAWN BY: SLL
SCALE: MULTIPLE
PROJ. NO.: 0001
DATE: 2015-03-10
SHEET: CA1



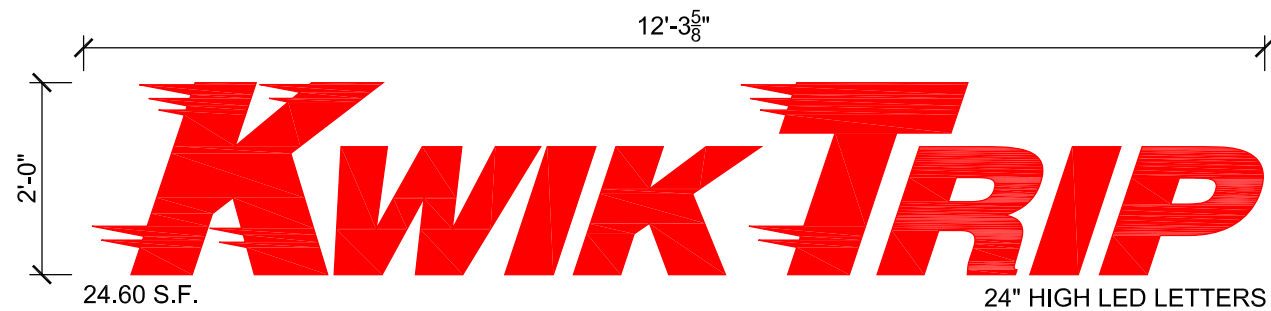
CANOPY ELEVATION

SCALE: 3/32" = 1'-0"



CANOPY ELEVATION

SCALE: 3/32" = 1'-0"



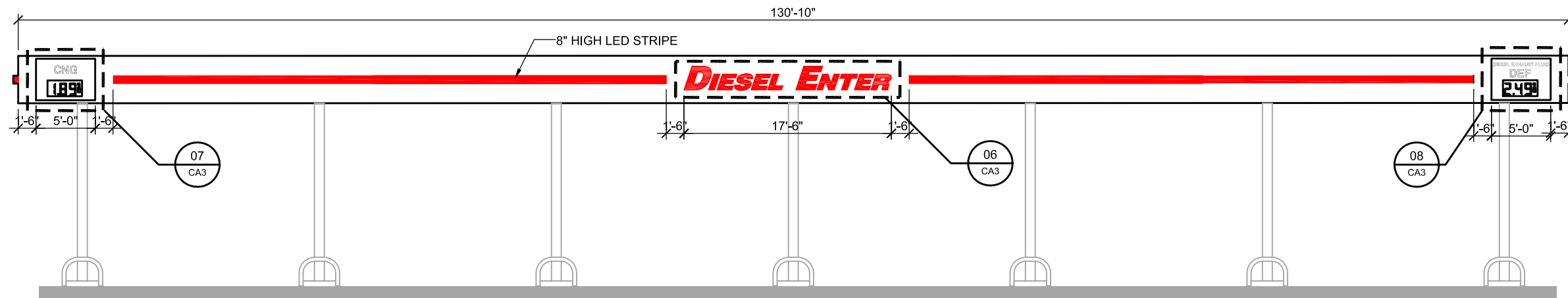
LOGO DETAIL - SIGNS #02 & #03

SCALE: 1/2" = 1'-0"



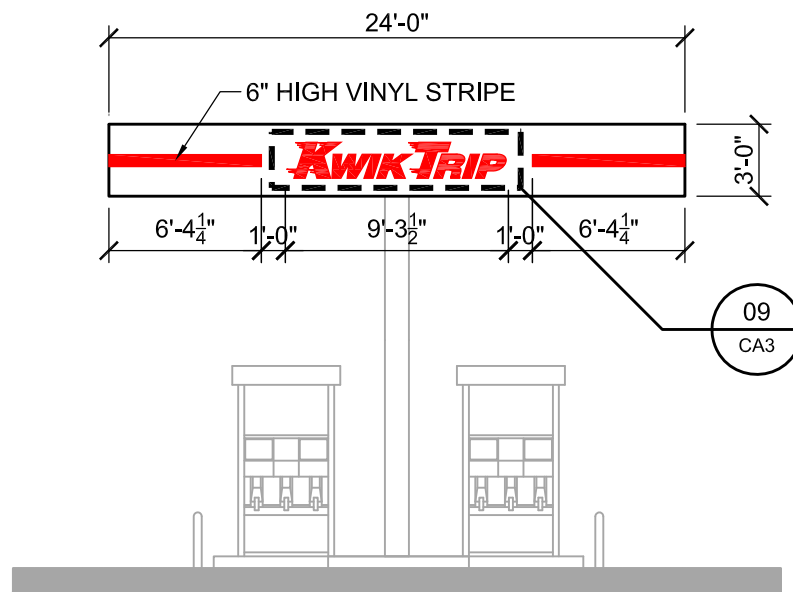
KWIK TRIP, Inc.
P.O. BOX 2107
1626 OAK STREET
LA CROSSE, WI 54602-2107
PH. (608) 781-8988
FAX (608) 781-8960

CANOPY SIGNAGE	CONVENIENCE STORE #184		GOLF ROAD WAUKESHA, WI
	#	DATE	
DRAWN BY		SLL	
SCALE		MULTIPLE	
PROJ. NO.		0001	
DATE		2015-03-10	
SHEET		CA2	



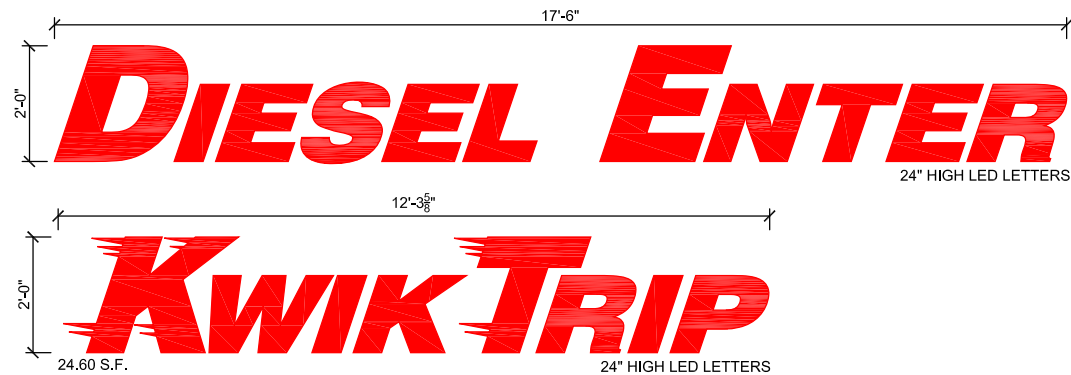
CANOPY ELEVATION

SCALE: 3/32" = 1'-0"



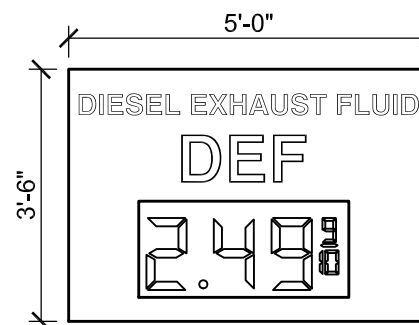
CANOPY ELEVATION

SCALE: 1/8" = 1'-0"



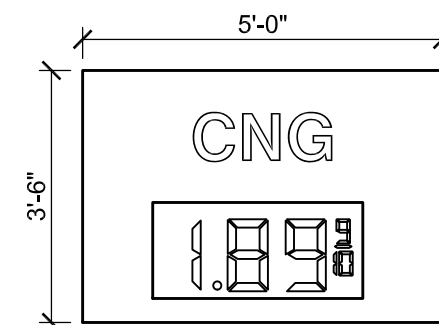
LOGO DETAIL - SIGNS #06 & #09

SCALE: 1/2" = 1'-0"



CANOPY SIGN #08

SCALE: 3/8" = 1'-0"



CANOPY SIGN #09

SCALE: 3/8" = 1'-0"

KWIK TRIP

STORES

KWIK STAR

STORES

KWIK TRIP, Inc.
P.O. BOX 2107
1626 OAK STREET
LA CROSSE, WI 54602-2107
PH. (608) 781-8988
FAX (608) 781-8960

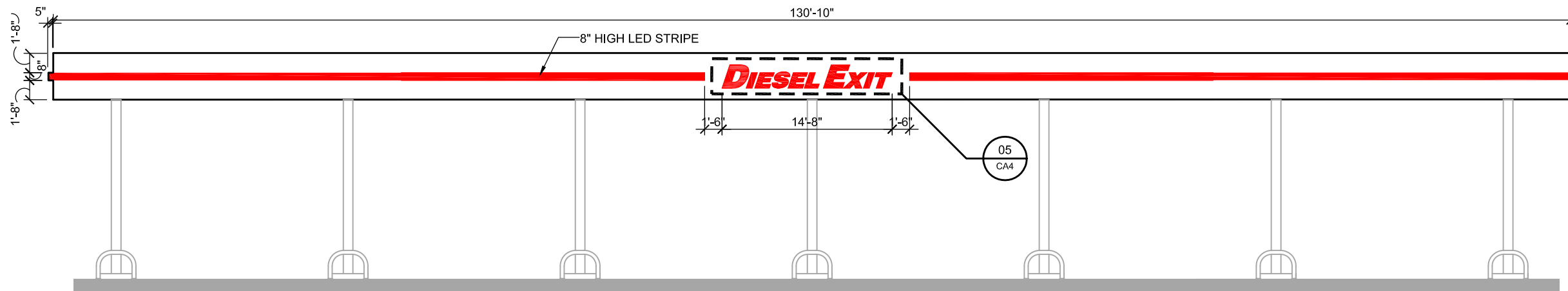
CANOPY SIGNAGE

CONVENIENCE STORE #184

GOLF ROAD
WAUKESHA, WI

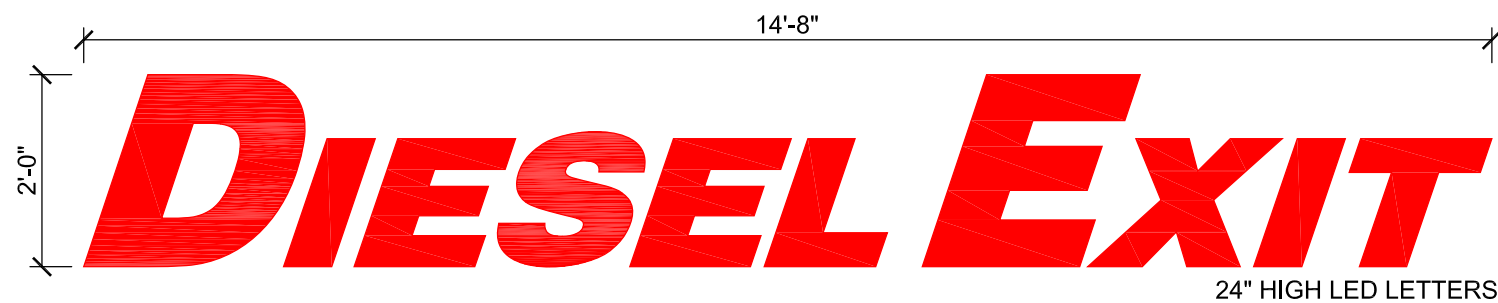
#	DATE	DESCRIPTION

DRAWN BY: SLL
SCALE: MULTIPLE
PROJ. NO.: 0001
DATE: 2015-03-10
SHEET: CA3



CANOPY ELEVATION

SCALE: 3/32" = 1'-0"



LOGO DETAIL - SIGN #05

SCALE: 1/2" = 1'-0"

**KWIK
TRIP**

STORES

**KWIK
STAR**

STORES

KWIK TRIP, Inc.
P.O. BOX 2107
1626 OAK STREET
LA CROSSE, WI 54602-2107
PH. (608) 781-8988
FAX (608) 781-8960

CANOPY SIGNAGE

CONVENIENCE STORE #184

GOLF ROAD
WAUKESHA, WI

#	DATE	DESCRIPTION

DRAWN BY	SLL
SCALE	MULTIPLE
PROJ. NO.	0001
DATE	2015-03-10
SHEET	CA4



