



RESIDENTIAL • COMMERCIAL • INDUSTRIAL

227 Weil Drive • Slinger, WI 53086

Phone(262)644-6940 • Fax(262)644-7647

Sky High Marketing

Exterior Lighting Submittal 2-20-2023



Color: Bronze

Weight: 11.2 lbs

Project:	Type:
Prepared By:	Date:

Driver Info		LED Info	
Type	Constant Current	Watts	100W
120V	1.0A	Color Temp	4000K (Neutral)
208V	0.60A	Color Accuracy	70 CRI
240V	0.50A	L70 Lifespan	100,000 Hours
277V	0.40A	Lumens	13,822 lm
Input Watts	97.6W	Efficacy	141.7 lm/W

Technical Specifications

Compliance

UL Listed:

Suitable for wet locations

IESNA LM-79 & LM-80 Testing:

RAB LED luminaires and LED components have been tested by an independent laboratory in accordance with IESNA LM-79 and LM-80.

IP Rating:

Ingress protection rating of IP65 for dust and water

DLC Listed:

This product is listed by Design Lights Consortium (DLC) as an ultra-efficient premium product that qualifies for the highest tier of rebates from DLC Member Utilities. Designed to meet DLC 5.1 requirements.

DLC Product Code: PLBIJH80K4UJ

Electrical

Driver:

Constant Current, Class 2, 120-277V, 50/60Hz, 120V: 1.50A, 208V: 0.70A, 240V: 0.70A, 277V: 0.60A

Dimming Driver:

Driver includes dimming control wiring for 0-10V dimming systems. Requires separate 0-10V DC dimming circuit. Dims down to 10%.

THD:

3.67% at 120V, 10.35% at 277V

Power Factor:

99.8 % at 120V, 94 % at 277V

Surge Protection:

10kV

Performance

Lifespan:

100,000-Hour LED lifespan based on IES LM-80 results and TM-21 calculations

Construction

IES Classification:

The Type IV distribution (also known as a Forward Throw) is especially suited for mounting on the sides of buildings and walls, and for illuminating the perimeter of parking areas. It produces a semicircular distribution with essentially the same candlepower at lateral angles from 90° to 270°.

Cold Weather Starting:

The minimum starting temperature is -40°C (-40°F)

Maximum Ambient Temperature:

Suitable for use in up to 40°C (104°F)

Lens:

Polycarbonate lens

Housing:

Die-cast aluminum housing, lens frame and mounting arm

Vibration Rating:

3G vibration rating per ANSI C136.31

EPA:

- 1 Fixture: 0.46
- 2 Fixtures at 90°: 0.60
- 2 Fixtures at 180°: 0.93
- 3 Fixtures at 90°: 0.93
- 4 Fixtures at 90°: 0.93

EPA with Slipfitter & Adjustable Arm Mounting Accessories (Sold Separately)

- 1 Fixture: 0.66
- 2 Fixtures at 90°: 0.80
- 2 Fixtures at 180°: 1.32
- 3 Fixtures at 90°: 1.32
- 4 Fixtures at 90°: 1.32

Mounting:

Universal mounting arm compatible for hole spacing patterns from 1" to 5 1/2" center to center. Round Pole Adaptor plate included as a standard. Easy slide and lock to mount fixture with ease. Round pole diameter must be >4" to mount fixtures at 90° orientation.

Finish:

Formulated for high durability and long-lasting color

Technical Specifications (continued)

Construction

Green Technology:

Mercury and UV free. RoHS-compliant components.

LED Characteristics

LEDs:

Long-life, high-efficiency, surface-mount LEDs

Color Uniformity:

RAB's range of Correlated Color Temperature follows the guidelines of the American National Standard for Specifications for the Chromaticity of Solid State Lighting (SSL) Products, ANSI C78.377-2017.

Other

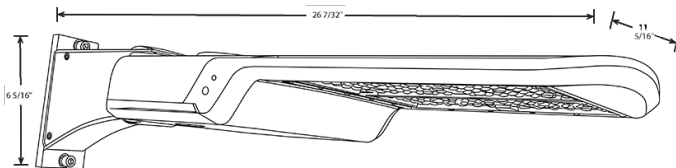
5 Yr Limited Warranty:

The RAB 5-year, limited warranty covers light output, driver performance and paint finish. RAB's warranty is subject to all terms and conditions found at rablighting.com/warranty.

Buy American Act Compliance:

RAB values USA manufacturing! Upon request, RAB may be able to manufacture this product to be compliant with the Buy American Act (BAA). Please contact customer service to request a quote for the product to be made BAA compliant.

Dimensions: A17-4T100N



Features

- 0-10V Dimming, standard
- 100,000-hour LED lifespan
- 5-Year, limited warranty

Ordering Matrix

Family	Distribution	Wattage/Lumens	Mounting	Color Temp	Driver	Options
A17	-	4T	100	N		
	3T = Type III	70 = 70W/10,000LM	Blank = Universal Pole Mount	Blank = 5000K Cool	Blank = 120-277V, 0-10V	Blank = No Option
	4T = Type IV	100 = 100W/15,000LM	SF = Slipfitter (Factory installed)	N = 4000K Neutral	Dimming	/3PRS = 3-pin Receptacle and Shorting Cap
	5T = Type V	150 = 150W/22,500LM	SF available in 150W)		/480 = 480V, 0-10V	/7PRS = 7-pin Receptacle and Shorting Cap
		200 = 200W/30,000LM			Dimming	/MVS = Microwave Motion Sensor
		240 = 240W/36,000LM				/LC = Lightcloud® Controller
		300 = 300W/45,000LM				
		375 = 375W/51,800LM				



Color: Bronze



Weight: 13.2 lbs

Project:	Type:
Prepared By:	Date:

Driver Info		LED Info	
Type	Constant Current	Watts	150W
120V	1.50A	Color Temp	4000K (Neutral)
208V	0.80A	Color Accuracy	70 CRI
240V	0.70A	L70 Lifespan	100,000 Hours
277V	0.06A	Lumens	21,204 lm
Input Watts	149.2W	Efficacy	142.1 lm/W

Technical Specifications

Compliance

UL Listed:

Suitable for wet locations

IESNA LM-79 & LM-80 Testing:

RAB LED luminaires and LED components have been tested by an independent laboratory in accordance with IESNA LM-79 and LM-80.

IP Rating:

Ingress protection rating of IP65 for dust and water

DLC Listed:

This product is listed by Design Lights Consortium (DLC) as an ultra-efficient premium product that qualifies for the highest tier of rebates from DLC Member Utilities. Designed to meet DLC 5.1 requirements.

DLC Product Code: PL7C2E05FQ0M

Electrical

Driver:

Constant Current, Class 2, 120-277V, 50/60Hz, 120V: 1.50A, 208V: 0.70A, 240V: 0.70A, 277V: 0.60A

Dimming Driver:

Driver includes dimming control wiring for 0-10V dimming systems. Requires separate 0-10V DC dimming circuit. Dims down to 10%.

THD:

3.85% at 120V, 9.26% at 277V

Power Factor:

99.8% at 120V, 93.2% at 277V

Surge Protection:

10kV

Performance

Lifespan:

100,000-Hour LED lifespan based on IES LM-80 results and TM-21 calculations

Construction

IES Classification:

The Type IV distribution (also known as a Forward Throw) is especially suited for mounting on the sides of buildings and walls, and for illuminating the perimeter of parking areas. It produces a semicircular distribution with essentially the same candlepower at lateral angles from 90° to 270°.

Cold Weather Starting:

The minimum starting temperature is -40°C (-40°F)

Maximum Ambient Temperature:

Suitable for use in up to 40°C (104°F)

Lens:

Polycarbonate lens

Housing:

Die-cast aluminum housing, lens frame and mounting arm

Vibration Rating:

3G vibration rating per ANSI C136.31

EPA:

- 1 Fixture: 0.46
- 2 Fixtures at 90°: 0.60
- 2 Fixtures at 180°: 0.93
- 3 Fixtures at 90°: 0.93
- 4 Fixtures at 90°: 0.93

EPA with Slipfitter & Adjustable Arm Mounting Accessories (Sold Separately)

- 1 Fixture: 0.66
- 2 Fixtures at 90°: 0.80
- 2 Fixtures at 180°: 1.32
- 3 Fixtures at 90°: 1.32
- 4 Fixtures at 90°: 1.32

Mounting:

Universal mounting arm compatible for hole spacing patterns from 1" to 5 1/2" center to center. Round Pole Adaptor plate included as a standard. Easy slide and lock to mount fixture with ease. Round pole diameter must be >4" to mount fixtures at 90° orientation.

Finish:

Formulated for high durability and long-lasting color

Technical Specifications (continued)

Construction

Green Technology:

Mercury and UV free. RoHS-compliant components.

LED Characteristics

LEDs:

Long-life, high-efficiency, surface-mount LEDs

Color Uniformity:

RAB's range of Correlated Color Temperature follows the guidelines of the American National Standard for Specifications for the Chromaticity of Solid State Lighting (SSL) Products, ANSI C78.377-2017.

Other

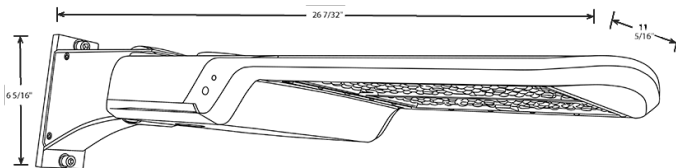
5 Yr Limited Warranty:

The RAB 5-year, limited warranty covers light output, driver performance and paint finish. RAB's warranty is subject to all terms and conditions found at rablighting.com/warranty.

Buy American Act Compliance:

RAB values USA manufacturing! Upon request, RAB may be able to manufacture this product to be compliant with the Buy American Act (BAA). Please contact customer service to request a quote for the product to be made BAA compliant.

Dimensions: A17-4T150N



Features

- 0-10V Dimming, standard
- 100,000-hour LED lifespan
- 5-Year, limited warranty

Ordering Matrix

Family	Distribution	Wattage/Lumens	Mounting	Color Temp	Driver	Options	
A17	-	4T	150	N			
		3T = Type III 4T = Type IV 5T = Type V	70 = 70W/10,000LM 100 = 100W/15,000LM 150 = 150W/22,500LM 200 = 200W/30,000LM 240 = 240W/36,000LM 300 = 300W/45,000LM 375 = 375W/51,800LM	Blank = Universal Pole Mount SF = Slipfitter (Factory installed SF available in 150W)	Blank = 5000K Cool N = 4000K Neutral	Blank = 120-277V, 0-10V Dimming /480 = 480V, 0-10V Dimming	Blank = No Option /3PRS = 3-pin Receptacle and Shorting Cap /7PRS = 7-pin Receptacle and Shorting Cap /MVS = Microwave Motion Sensor /LC = Lightcloud® Controller



Color: Bronze

Weight: 10.8 lbs

Project:	Type:
Prepared By:	Date:

Driver Info		LED Info	
Type	Constant Current	Watts	70W
120V	0.70A	Color Temp	4000K (Neutral)
208V	0.40A	Color Accuracy	70 CRI
240V	0.35A	L70 Lifespan	100,000 Hours
277V	0.30A	Lumens	9,938 lm
Input Watts	70.8W	Efficacy	140.3 lm/W

Technical Specifications

Compliance

UL Listed:

Suitable for wet locations

IESNA LM-79 & LM-80 Testing:

RAB LED luminaires and LED components have been tested by an independent laboratory in accordance with IESNA LM-79 and LM-80.

IP Rating:

Ingress protection rating of IP65 for dust and water

DLC Listed:

This product is listed by Design Lights Consortium (DLC) as an ultra-efficient premium product that qualifies for the highest tier of rebates from DLC Member Utilities. Designed to meet DLC 5.1 requirements.

DLC Product Code: PLPPBUH2NS6D

Electrical

Driver:

Constant Current, Class 2, 120-277V, 50/60Hz, 120V: 0.70A, 208V: 0.40A, 240V: 0.35A, 277V: 0.30A

Dimming Driver:

Driver includes dimming control wiring for 0-10V dimming systems. Requires separate 0-10V DC dimming circuit. Dims down to 10%.

THD:

3.19% at 120V, 13.21% at 277V

Power Factor:

99.5 % at 120V, 91.7 % at 277V

Surge Protection:

10kV

Performance

Lifespan:

100,000-Hour LED lifespan based on IES LM-80 results and TM-21 calculations

Construction

IES Classification:

The Type IV distribution (also known as a Forward Throw) is especially suited for mounting on the sides of buildings and walls, and for illuminating the perimeter of parking areas. It produces a semicircular distribution with essentially the same candlepower at lateral angles from 90° to 270°.

Cold Weather Starting:

The minimum starting temperature is -40°C (-40°F)

Maximum Ambient Temperature:

Suitable for use in up to 40°C (104°F)

Lens:

Polycarbonate lens

Housing:

Die-cast aluminum housing, lens frame and mounting arm

Vibration Rating:

3G vibration rating per ANSI C136.31

EPA:

- 1 Fixture: 0.46
- 2 Fixtures at 90°: 0.60
- 2 Fixtures at 180°: 0.93
- 3 Fixtures at 90°: 0.93
- 4 Fixtures at 90°: 0.93

EPA with Slipfitter & Adjustable Arm Mounting Accessories (Sold Separately)

- 1 Fixture: 0.66
- 2 Fixtures at 90°: 0.80
- 2 Fixtures at 180°: 1.32
- 3 Fixtures at 90°: 1.32
- 4 Fixtures at 90°: 1.32

Mounting:

Universal mounting arm compatible for hole spacing patterns from 1" to 5 1/2" center to center. Round Pole Adaptor plate included as a standard. Easy slide and lock to mount fixture with ease. Round pole diameter must be >4" to mount fixtures at 90° orientation.

Finish:

Formulated for high durability and long-lasting color

Technical Specifications (continued)

Construction

Green Technology:

Mercury and UV free. RoHS-compliant components.

LED Characteristics

LEDs:

Long-life, high-efficiency, surface-mount LEDs

Color Uniformity:

RAB's range of Correlated Color Temperature follows the guidelines of the American National Standard for Specifications for the Chromaticity of Solid State Lighting (SSL) Products, ANSI C78.377-2017.

Other

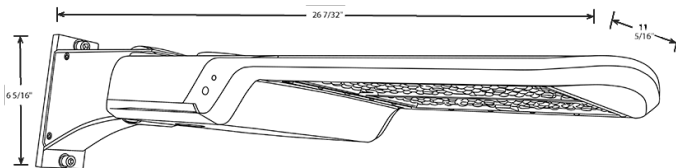
5 Yr Limited Warranty:

The RAB 5-year, limited warranty covers light output, driver performance and paint finish. RAB's warranty is subject to all terms and conditions found at rablighting.com/warranty.

Buy American Act Compliance:

RAB values USA manufacturing! Upon request, RAB may be able to manufacture this product to be compliant with the Buy American Act (BAA). Please contact customer service to request a quote for the product to be made BAA compliant.

Dimensions: A17-4T70N



Features

- 0-10V Dimming, standard
- 100,000-hour LED lifespan
- 5-Year, limited warranty

Ordering Matrix

Family	Distribution	Wattage/Lumens	Mounting	Color Temp	Driver	Options
A17	-	4T	70	N		
	3T = Type III	70 = 70W/10,000LM	Blank = Universal Pole Mount	Blank = 5000K Cool	Blank = 120-277V, 0-10V	Blank = No Option
	4T = Type IV	100 = 100W/15,000LM	SF = Slipfitter (Factory installed)	N = 4000K Neutral	Dimming	/3PRS = 3-pin Receptacle and Shorting Cap
	5T = Type V	150 = 150W/22,500LM	SF available in 150W)		/480 = 480V, 0-10V	/7PRS = 7-pin Receptacle and Shorting Cap
		200 = 200W/30,000LM			Dimming	/MVS = Microwave Motion Sensor
		240 = 240W/36,000LM				/LC = Lightcloud® Controller
		300 = 300W/45,000LM				
		375 = 375W/51,800LM				

Ordering Matrix

Family	Distribution	Wattage/Lumens	Mounting	Color Temp	Driver	Options
A17	-	4T	150		N	
	3T = Type III	70 = 70W/10,000LM	Blank = Universal Pole Mount	Blank = 5000K Cool	Blank = 120-277V, 0-10V	Blank = No Option
	4T = Type IV	100 = 100W/15,000LM	SF = Slipfitter (Factory installed	N = 4000K Neutral	Dimming	/3PRS = 3-pin Receptacle and
	5T = Type V	150 = 150W/22,500LM	SF available in 150W)		/480 = 480V, 0-10V	Shorting Cap
		200 = 200W/30,000LM			Dimming ¹	/7PRS = 7-pin Receptacle and
		240 = 240W/36,000LM				Shorting Cap
		300 = 300W/45,000LM				/MVS = Microwave Motion
		375 = 375W/51,800LM				Sensor
						/LC = Lightcloud® Controller

¹ 480V driver available standard on 150W and 300W and by special order on 100, 240 and 375W. Not available on 70W or 200W models.

Type II distribution available as special order

Wall mount and adjustable universal pole mount available as optional field-installed accessories



Color: Bronze

Weight: 7.1 lbs

Project:	Type:
Prepared By:	Date:

Driver Info		LED Info	
Type	Constant Current	Watts	26W
120V	0.22A	Color Temp	4000K (Neutral)
208V	0.13A	Color Accuracy	70 CRI
240V	0.11A	L70 Lifespan	100,000 Hours
277V	0.10A	Lumens	3,738 lm
Input Watts	28.9W	Efficacy	129.3 lm/W

Technical Specifications

Compliance

UL Listed:

Suitable for wet locations. Suitable for mounting within 1.2m (4ft) of the ground.

IP Rating:

Ingress protection rating of IP66 for dust and water

DLC Listed:

This product is listed by Design Lights Consortium (DLC) as an ultra-efficient premium product that qualifies for the highest tier of rebates from DLC Member Utilities. Designed to meet DLC 5.1 requirements.

DLC Product Code: P0000175P

Performance

Lifespan:

100,000-Hour LED lifespan based on IES LM-80 results and TM-21 calculations

Wattage Equivalency:

Equivalent to 150W Metal Halide

Electrical

Driver:

Constant Current, Class 2, 120-277V, 50/60Hz, 120V: 0.22A, 208V: 0.13A, 240V: 0.11A, 277V 0.10A

Dimming Driver:

Driver includes dimming control wiring for 0-10V dimming systems. Requires separate 0-10V DC dimming circuit. Dims down to 10%.

THD:

10.02% at 120V, 10.55% at 277V

Power Factor:

98.3% at 120V, 95.4% at 277V

Construction

Finish:

Formulated for high durability and long-lasting color

Ambient Temperature:

Suitable for use in up to 40°C (104°F)

Cold Weather Starting:

The minimum starting temperature is -40°C (-40°F)

Green Technology:

Mercury and UV free. RoHS-compliant components.

LED Characteristics

Color Consistency:

3-step MacAdam Ellipse binning to achieve consistent fixture-to-fixture color

Technical Specifications (continued)

LED Characteristics

Color Stability:

LED color temperature is warranted to shift no more than 200K in color temperature over a 5-year period

Color Uniformity:

RAB's range of Correlated Color Temperature follows the guidelines of the American National Standard for Specifications for the Chromaticity of Solid State Lighting (SSL) Products, ANSI C78.377-2017.

Other

Patents:

The WPLED design is protected by U.S. Pat. D634878, Canada Pat 134878, China Pat. CN301649064S.

Buy American Act Compliance:

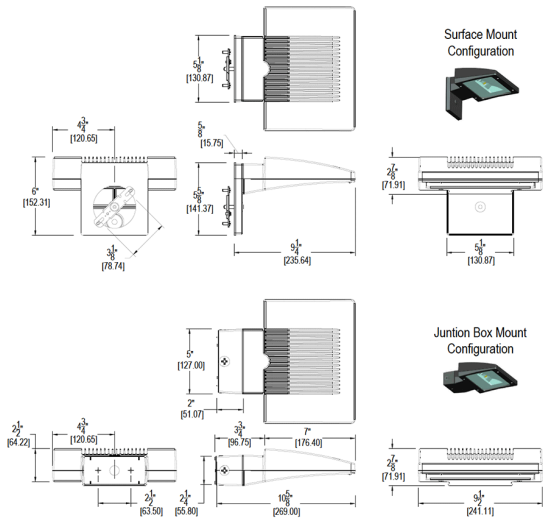
RAB values USA manufacturing! Upon request, RAB may be able to manufacture this product to be compliant with the Buy American Act (BAA). Please contact customer service to request a quote for the product to be made BAA compliant.

Optical

BUG Rating:

B1 U0 G0

Dimensions



Features

- Maintains 70% of initial lumens at 100,000-hours
- Weatherproof high temperature silicone gaskets
- Superior heat sinking with die cast aluminum housing and external fins
- 100 up to 277 Volts
- 5-Year, No-Compromise Warranty



LED 10W & 13 Wall packs. patent-pending thermal management system. 100,000 hour L70 lifespan. 5-year, no-compromise warranty.

Color: Bronze

Weight: 3.3 lbs

Project:

Type:

Prepared By:

Date:

Driver Info

Type	Constant Current
120V	0.09A
208V	0.05A
240V	0.05A
277V	0.04A
Input Watts	12.1W

LED Info

Watts	10W
Color Temp	4000K (Neutral)
Color Accuracy	70 CRI
L70 Lifespan	100,000 Hours
Lumens	1,287 lm
Efficacy	106.4 lm/W

Technical Specifications

Compliance

UL Listed:

Suitable for Wet Locations as a Downlight. Suitable for Damp Locations as an Uplight. Wall Mount only. Suitable for Mounting within 4ft. of ground.

IESNA LM-79 & LM-80 Testing:

RAB LED luminaires and LED components have been tested by an independent laboratory in accordance with IESNA LM-79 and LM-80

DLC Listed:

This product is on the Design Lights Consortium (DLC) Qualified Products List and is eligible for rebates from DLC Member Utilities. Designed to meet DLC 5.1 requirements. DLC Product Code: P4V81RRI

Performance

Lifespan:

100,000-Hour LED lifespan based on IES LM-80 results and TM-21 calculations

Wattage Equivalency:

Equivalent to 70W Metal Halide

Electrical

Driver:

Constant Current, Class 2, 120-277V, 50/60Hz, 120V: 0.09A, 208V: 0.05A, 240V: 0.05A, 277V 0.04A

Dimming Driver:

Driver includes dimming control wiring for 0-10V dimming systems. Requires separate 0-10V DC dimming circuit. Dims down to 10%.

THD:

6.51% at 120V, 13.57% at 277V

Power Factor:

99% at 120V, 90.6% at 277V

Construction

Finish:

Formulated for high durability and long-lasting color

Cold Weather Starting:

The minimum starting temperature is -40°C (-40°F)

Maximum Ambient Temperature:

Suitable for use in up to 40°C (104°F)

Thermal Management:

Cast aluminum Thermal Management system for optimal heat sinking. The LPACK is designed for cool operation, most efficient output and maximum LED life by minimizing LED junction temperature.

Housing:

Precision die-cast aluminum housing, lens frame

Technical Specifications (continued)

Construction

Mounting:

Surface plate and Junction box

Green Technology:

Mercury and UV free. RoHS-compliant components.

Gaskets:

High-temperature Silicone

LED Characteristics

Color Consistency:

3-step MacAdam Ellipse binning to achieve consistent fixture-to-fixture color

Color Stability:

LED color temperature is warrantied to shift no more than 200K in color temperature over a 5-year period

Color Uniformity:

RAB's range of Correlated Color Temperature follows the guidelines of the American National Standard for Specifications for the Chromaticity of Solid State Lighting (SSL) Products, ANSI C78.377-2017.

Lumen Maintenance:

The LED will deliver 70% of its initial lumens at 100,000 hours of operation

Other

Patents:

The design of the LPACK is protected by U.S. Pat. D604,004 and patents pending in Canada, China and Taiwan.

Warranty:

RAB warrants that our LED products will be free from defects in materials and workmanship for a period of five (5) years from the date of delivery to the end user, including coverage of light output, color stability, driver performance and fixture finish. RAB's warranty is subject to all terms and conditions found at rablighting.com/warranty.

HID Replacement Range:

Replaces 35-100W Metal Halide

Buy American Act Compliance:

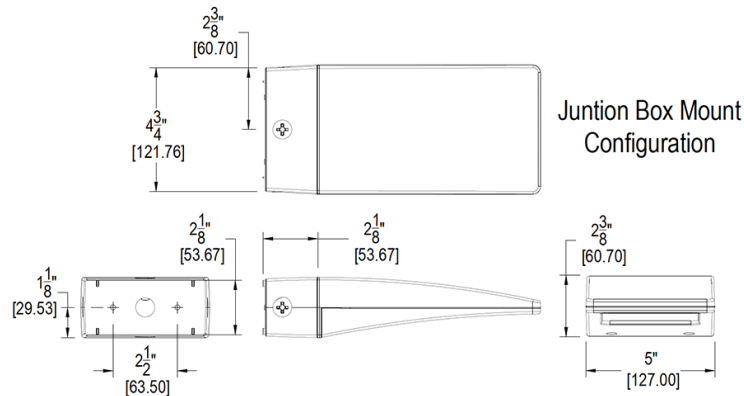
RAB values USA manufacturing! Upon request, RAB may be able to manufacture this product to be compliant with the Buy American Act (BAA). Please contact customer service to request a quote for the product to be made BAA compliant.

Optical

BUG Rating:

B1 U0 G0

Dimensions



Features

- High performance LED light engine
- Maintains 70% of initial lumens at 100,000-hours
- Weatherproof high temperature silicone gaskets
- Superior heat sinking with die cast aluminum housing and external fins
- 5-Year, No-Compromise Warranty



Project:	Type:
Prepared By:	Date:

Driver Info		LED Info	
Type	Constant Current	Watts	100W
120V	1.0A	Color Temp	4000K (Neutral)
208V	0.60A	Color Accuracy	70 CRI
240V	0.50A	L70 Lifespan	100,000 Hours
277V	0.40A	Lumens	13,822 lm
Input Watts	97.6W	Efficacy	141.7 lm/W

Technical Specifications

Compliance

UL Listed:

Suitable for wet locations

IESNA LM-79 & LM-80 Testing:

RAB LED luminaires and LED components have been tested by an independent laboratory in accordance with IESNA LM-79 and LM-80.

IP Rating:

Ingress protection rating of IP65 for dust and water

DLC Listed:

This product is listed by Design Lights Consortium (DLC) as an ultra-efficient premium product that qualifies for the highest tier of rebates from DLC Member Utilities. Designed to meet DLC 5.1 requirements.

DLC Product Code: PLBIJH80K4UJ

Electrical

Driver:

Constant Current, Class 2, 120-277V, 50/60Hz, 120V: 1.50A, 208V: 0.70A, 240V: 0.70A, 277V: 0.60A

Dimming Driver:

Driver includes dimming control wiring for 0-10V dimming systems. Requires separate 0-10V DC dimming circuit. Dims down to 10%.

THD:

3.67% at 120V, 10.35% at 277V

Power Factor:

99.8 % at 120V, 94 % at 277V

Surge Protection:

10kV

Performance

Lifespan:

100,000-Hour LED lifespan based on IES LM-80 results and TM-21 calculations

Construction

IES Classification:

The Type IV distribution (also known as a Forward Throw) is especially suited for mounting on the sides of buildings and walls, and for illuminating the perimeter of parking areas. It produces a semicircular distribution with essentially the same candlepower at lateral angles from 90° to 270°.

Cold Weather Starting:

The minimum starting temperature is -40°C (-40°F)

Maximum Ambient Temperature:

Suitable for use in up to 40°C (104°F)

Lens:

Polycarbonate lens

Technical Specifications (continued)

Construction

Housing:

Die-cast aluminum housing, lens frame and mounting arm

Vibration Rating:

3G vibration rating per ANSI C136.31

EPA:

- 1 Fixture: 0.46
- 2 Fixtures at 90°: 0.60
- 2 Fixtures at 180°: 0.93
- 3 Fixtures at 90°: 0.93
- 4 Fixtures at 90°: 0.93

EPA with Slipfitter & Adjustable Arm Mounting Accessories (Sold Separately)

- 1 Fixture: 0.66
- 2 Fixtures at 90°: 0.80
- 2 Fixtures at 180°: 1.32
- 3 Fixtures at 90°: 1.32
- 4 Fixtures at 90°: 1.32

Mounting:

Universal mounting arm compatible for hole spacing patterns from 1" to 5 1/2" center to center. Round Pole Adaptor plate included as a standard. Easy slide and lock to mount fixture with ease. Round pole diameter must be >4" to mount fixtures at 90° orientation.

Finish:

Formulated for high durability and long-lasting color

Green Technology:

Mercury and UV free. RoHS-compliant components.

LED Characteristics

LEDs:

Long-life, high-efficiency, surface-mount LEDs

Color Uniformity:

RAB's range of Correlated Color Temperature follows the guidelines of the American National Standard for Specifications for the Chromaticity of Solid State Lighting (SSL) Products, ANSI C78.377-2017.

Other

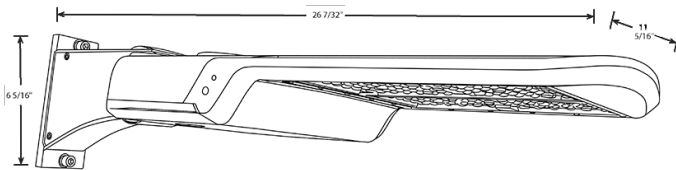
5 Yr Limited Warranty:

The RAB 5-year, limited warranty covers light output, driver performance and paint finish. RAB's warranty is subject to all terms and conditions found at rablighting.com/warranty.

Buy American Act Compliance:

RAB values USA manufacturing! Upon request, RAB may be able to manufacture this product to be compliant with the Buy American Act (BAA). Please contact customer service to request a quote for the product to be made BAA compliant.

Dimensions



Features

- 0-10V Dimming, standard
- 100,000-hour LED lifespan
- 5-Year, limited warranty

Ordering Matrix

Family	Distribution	Wattage/Lumens	Mounting	Color Temp	Driver	Options
A17	-	4T	100	N		
	3T = Type III	70 = 70W/10,000LM	Blank = Universal Pole Mount	Blank = 5000K Cool	Blank = 120-277V, 0-10V	Blank = No Option
	4T = Type IV	100 = 100W/15,000LM	SF = Slipfitter (Factory installed)	N = 4000K Neutral	Dimming	/3PRS = 3-pin Receptacle and Shorting Cap
	5T = Type V	150 = 150W/22,500LM	SF available in 150W)		/480 = 480V, 0-10V	/7PRS = 7-pin Receptacle and Shorting Cap
		200 = 200W/30,000LM			Dimming ¹	/MVS = Microwave Motion Sensor
		240 = 240W/36,000LM				/LC = Lightcloud® Controller
		300 = 300W/45,000LM				
		375 = 375W/51,800LM				

¹ 480V driver available standard on 150W and 300W and by special order on 100, 240 and 375W. Not available on 70W or 200W models.

Type II distribution available as special order

Wall mount and adjustable universal pole mount available as optional field-installed accessories