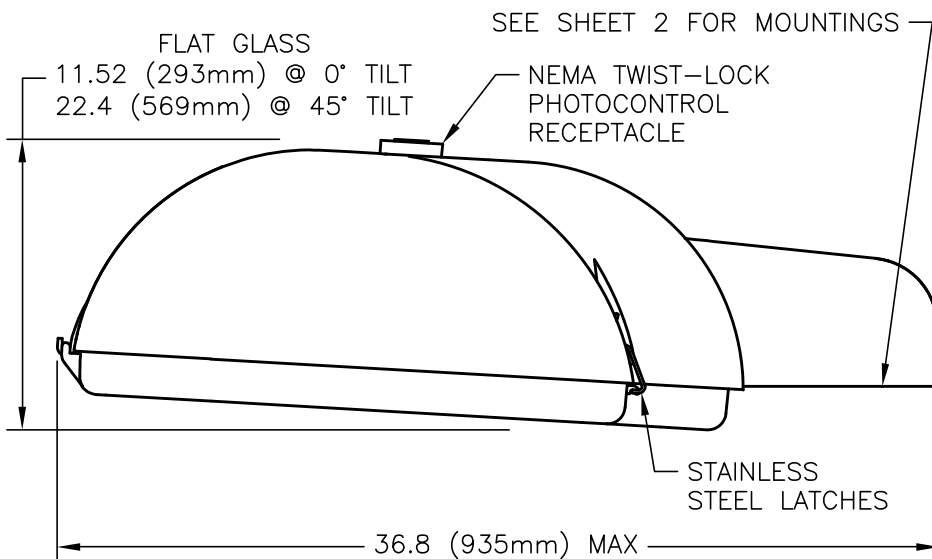
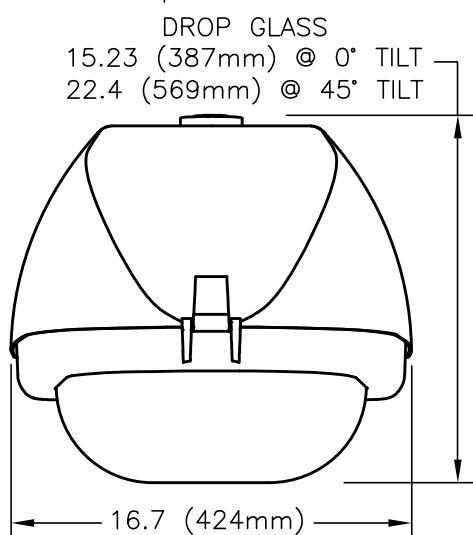


UL/CUL LISTED  
 MAX AMBIENT: 40°C  
 MAX WEIGHT: 50lbs (23kg)  
 EPA: 2.05 sq. ft.

# MONGOOSE®



**G**

CATALOG NUMBER

**SOURCE AND WATTAGE**

**VOLTAGE**

**TILT RANGE**

<b>100HP</b>	100W HPS
<b>15AHP</b>	150W HPS
<b>200HP</b>	200W HPS
<b>250HP</b>	250W HPS
<b>25LHP</b>	250W HPS
<b>400HP</b>	400W HPS
<b>40LHP</b>	400W HPS
<b>175MH</b>	175W MH *
<b>175PM</b>	175W PM
<b>250MH</b>	250W MH *
<b>400MH</b>	400W MH *
<b>40LMH</b>	400W MH *
<b>250PM</b>	250W PM
<b>320PM</b>	320W PM
<b>400PM</b>	400W PM
<b>40LPM</b>	400W LPM

<b>12</b>	120V
<b>20</b>	208V
<b>24</b>	240V
<b>27</b>	277V
<b>48</b>	480V
<b>34</b>	347V
<b>MT</b>	MULTIVOLT 120,208,240,277V
<b>MA</b>	MULTIVOLT PRE-WIRED (120V)
<b>MB</b>	MULTIVOLT PRE-WIRED (208V)
<b>MC</b>	MULTIVOLT PRE-WIRED (240V)
<b>MD</b>	MULTIVOLT PRE-WIRED (277V)
<b>VT</b>	MULTIVOLT 120, 277, 347V ( NOT AVAILABLE IN 200W HPS OR 175W PM )

- L** LOW TILT, 0°-18°
- H** HIGH TILT, 27°-45°

**OPTICS**

- DC** MEDIUM ROADWAY, CLEAR DROP GLASS
- DR** MEDIUM ROADWAY, GLASS REFRACTOR
- FC** FORWARD THROW, CLEAR DROP GLASS
- FF** FORWARD THROW, FLAT GLASS
- NC** NARROW ROADWAY, CLEAR DROP GLASS
- ND** NARROW FLOOD
- NF** NARROW ROADWAY, FLAT GLASS
- NR** NARROW ROADWAY, GLASS REFRACTOR
- SC** SQUARE, CLEAR DROP GLASS
- SF** SQUARE, FLAT GLASS
- WC** WIDE ROADWAY, CLEAR DROP GLASS
- WD** WIDE FLOOD
- WF** WIDE ROADWAY, FLAT GLASS
- WR** WIDE ROADWAY, GLASS REFRACTOR

\* NOT AVAILAIBLE FOR SHIPMENT IN THE US AFTER 12-31-08 DUE TO EISA 2007 LEGISLATION

**MOUNTING**

- A** ARCHITECTURAL
- H** HORIZONTAL
- V** VERTICAL

**OPTIONS**

- B** TERMINAL BLOCK & NEMA DECAL
- C** NEMA DECAL
- P** PROTECTED STARTER
- R** NEMA TWIST-LOCK PHOTOCONTROL RECEPTACLE
- T** SPADE TERMINATION FOR BALLAST LEADS
- 3** 3" TO 2" TENON ADAPTER
- 6** 6' PIGTAIL

**FINISH**

- G** GRAY
- K** BLACK
- N** GREEN
- W** WHITE
- Z** BRONZE

**ACCESSORIES**

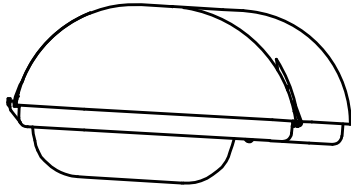
- F1** SINGLE FUSING (120, 240, 277 & 347V)
- F2** DOUBLE FUSING (208, 240 & 480V)
- LAMP**
- BKT-5-G** GALVANIZED WOOD POLE BRACKET
- BR-1091-XX** 3" TO 2" TENON ADAPTER



ORDER NO: \_\_\_\_\_  
 TYPE: \_\_\_\_\_

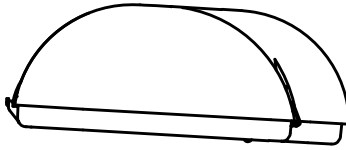
DRAWING NO. \_\_\_\_\_  
 CAD MODEL: MONGOOSE.DWG  
 DATE: 4/9/13  
 Sheet 1 of 2

# MONGOOSE®



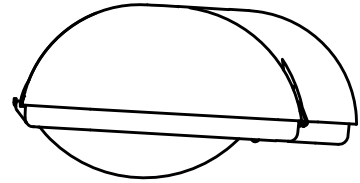
### OPTIC TILT RANGE

DC	HIGH
DR	HIGH
FC	LOW
NC	HIGH
NR	ALL
SC	LOW
WC	HIGH
WR	ALL



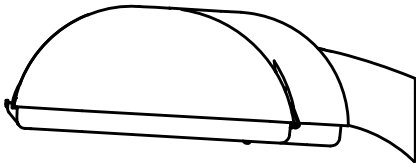
### OPTIC TILT RANGE

FF	LOW
ND	HIGH
NF	LOW
SF	LOW
WD	HIGH
WF	LOW

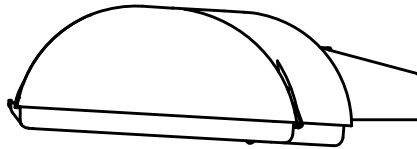


### OPTIC TILT RANGE

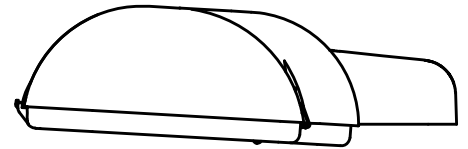
NC	LOW
WC	LOW



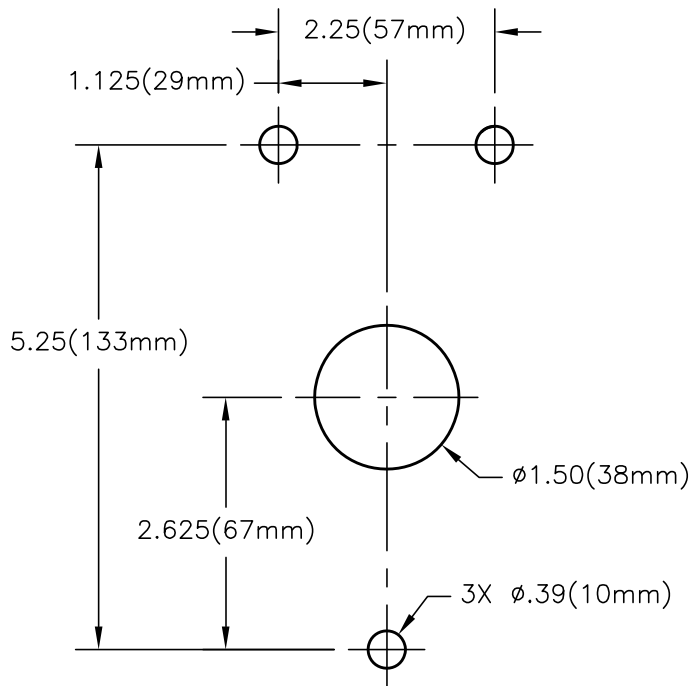
**"A" MOUNTING**  
ATTACHES TO A SQUARE  
POLE OR TENON ADAPTOR  
USING PATTERN BELOW



**"H" MOUNTING**  
ATTACHES TO A  
2" HORIZONTAL TENON



**"V" MOUNTING**  
ATTACHES TO A  
2" VERTICAL TENON



## "A" MOUNTING PATTERN