

INFORMATION
MINIMUM FALL ZONE
SURFACED WITH
RESILIENT MATERIAL
AREA

2856 SQ.FT.

PERIMETER

433 FT.

STRUCTURE SIZE

44' 6" x 94' 7"

STRUCTURE IS DESIGNED
FOR CHILDREN AGES:

- 6-23 MONTH OLDS
- 2-5 YEAR OLDS
- 5-12 YEAR OLDS
- 13 + YEAR OLDS



Registered
to ISO 9001



Registered
to ISO 14001

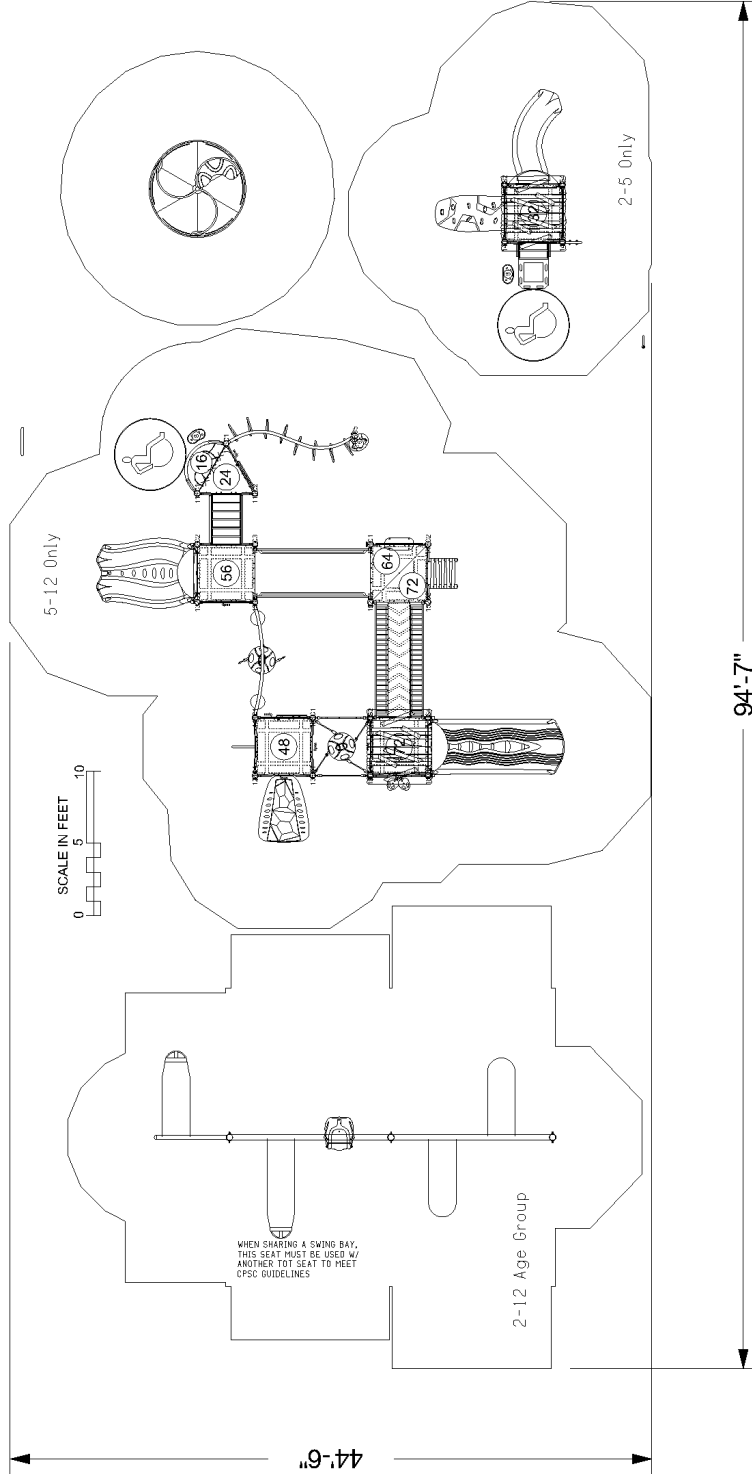


To verify product certification,
visit www.ipema.org

The play components identified
in this plan are IPEMA
certified. The use and layout of
these components conform to the
requirements of ASTM F1487.
To verify product certification,
visit www.ipema.org

The space requirements shown
here are to ASTM standards.
Requirements for other standards
may be different.

The use and layout of play
components identified in this plan
conform to the CPSC guidelines.
U.S. CPSC recommends the
separation of age groups in
playground layouts.



WARNING!

ACCESSIBLE SAFETY SURFACING MATERIAL IS REQUIRED BENEATH
AND AROUND THIS EQUIPMENT.
FOR SLIDE FALL ZONE SURFACING AREA SEE CPSC's Handbook for
Public Playground Safety.
PLATFORM HEIGHTS ARE IN INCHES ABOVE RESILIENT MATERIAL.

ADA ACCESSIBILITY GUIDELINE (ADAAG CONFORMANCE)

NUMBER OF PLAY EVENTS:	25	REQD:	0
NUMBER OF ELEVATED PLAY EVENTS:	15	PROVIDED:	0
NUMBER OF ELEVATED PLAY EVENTS ACCESSIBLE BY RAMP:	PROVIDED: 0	PROVIDED:	13
NUMBER OF ELEVATED PLAY EVENTS ACCESSIBLE BY TRANSFER SYSTEM:	PROVIDED: 13	PROVIDED:	8
NUMBER OF ELEVATED PLAY EVENTS ACCESSIBLE BY RAMP OR TRANSFER SYSTEM:	PROVIDED: 10	PROVIDED:	5
NUMBER OF GROUND LEVEL PLAY EVENTS:	PROVIDED: 6	PROVIDED:	5
NUMBER OF TYPES OF GROUND LEVEL PLAY EVENTS:	PROVIDED: 6	PROVIDED:	3



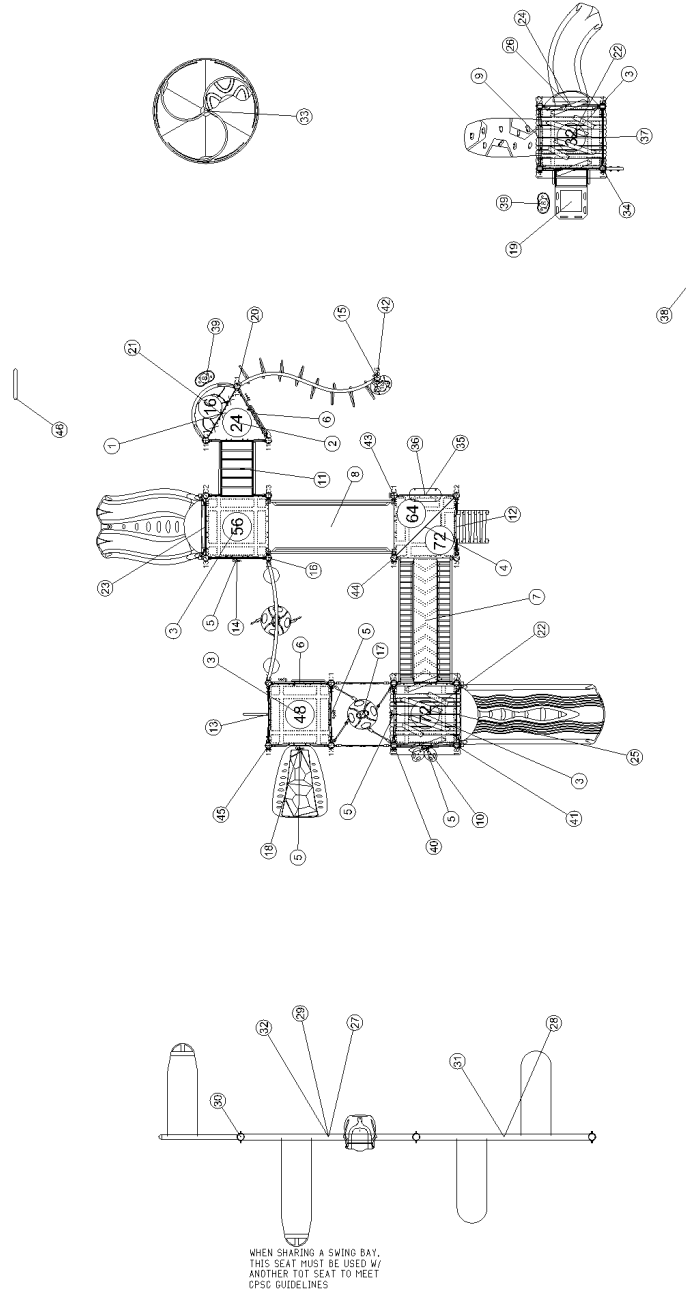
SERIES: Basics, Specialty Items, Intensity, Nucleus
SITE PLAN
DRAWN BY: Landon Berendsen

Howell Oaks Subdivision
Olde Howell Rd.
Waukesha, WI 53188

May 03, 2021

Lee Recreation, LLC
142-139037-2

ITEM	COMP.	DESCRIPTION
1	270-0009	8" CLOSURE PLATE, ELLIPSE
2	270-0129	TRIANGLE PLATFORM
3	270-0130	SQUARE PLATFORM
4	270-0136	SPLIT SQUARE PLATFORM
5	270-0192	CLUBHOUSE UNITARY ENCLOSURE
6	270-0194	CLUBHOUSE OFF-SET ENCLOSURE
7	270-0219	ARCHED CATWALK BRIDGE 96"
8	270-0220	8" RISE RAMP W/ BARRIERS
9	370-0038	CLUBHOUSE ASCEND ROCK CLIMBER
10	370-0091	LEAF CLIMBER 64" - 72"
11	370-0468	32" TRANSITION STAIR W/BARRIERS
12	370-0771	CLUBHOUSE BOARD CLIMBER 7'
13	370-0783	CLUBHOUSE SLIDING POLE 32" - 48"
14	370-0863	TREE BRANCH CLIMBER 56"
15	370-1608	OVISTEP LAUNCH PAD
16	370-1620	TAKTIKS BOW CLIMBER
17	370-1622	TAKTIKS TRAIL TOWER
18	370-1645	MANITOU CLIMBER 48"
19	370-1657	TRANSFER STATION, HANDRAIL
20	370-1679	S OVERHEAD, NUCLEUS
21	470-0075	CRESCENT PLATFORM
22	470-0625	CLUBHOUSE RETREAT ROOF
23	470-0755	LUGE SLIDE, 48"-56"
24	470-0802	MONACO SLIDE, 32"-40"
25	470-0803	CONTOUR SLIDE, 64"-72"
26	470-0804	SLIDE HOOD, LOW SIDE WALL
27	550-0099	TOT SEAT, 7 & 8' SINGLE, STD C
28	550-0112	BELT SEAT, 8' PAIR, STD CHAIN
29	550-0171	FREEDOM SWING SEAT, 8' BEAN
30	550-0183	TOT BAY, ADD-ON, GALV CHAIN
31	550-0201	SINGLE POST SWING ASSEMBLY
32	550-0202	SINGLE POST SWING ADD-ON 5'
33	560-0042	INCLUSIVE ORBIT
34	570-0717	RAINDROPS ACTIVITY PANEL
35	570-0838	CLUBHOUSE COUNTER PANEL
36	570-0844	TRACKS 2 SIDED PLAY PANEL
37	570-2664	BEE PANEL
38	580-1317	FS SIGN, AGES 2-5
39	580-1364	LIL NOVO BEAN STEP
40	580-1381	BIBA RED MARKER, CLIMBERS
41	580-1382	BIBA YELLOW MARKER, SLIDES
42	580-1383	BIBA PURPLE MARKER, OVERHEAD
43	580-1384	BIBA BLUE MARKER, TUBES
44	580-1385	BIBA ORANGE MARKER, BRIDGE
45	580-1386	BIBA GREEN MARKER, SWINGS
46	580-1388	WELCOME SIGN, BIBA, AGES 5-11



May 03, 2021

SERIES: Basics, Specialty Items, Intensity, Nucleus Howell Oaks Subdivision

Lee Recreation, LLC

COMPONENT PLAN

Olde Howell Rd.

DRAWN BY: Landon Berendsen

Waukesha, WI 53188

142-139037-2