

Expansion of Premises Application Fee: \$25.00

APPLICATION FOR THE SALE OF LIQUOR AND/OR BEER
EXPANSION OF LICENSED PREMISES

A. APPLICANT INFORMATION

The undersigned hereby applies for an expansion of the Class B license from Billy D's Pub
(present location) to include Deck area (east side of building)
on or about 10/3.

Applicant (Name of Corporation, LLC, Partnership, Individual.): LE-11 LLC

Trade Name: Billy D's Pub Phone #: 262-544-6550

Address of Establishment 1313 Gradison Ave.

Agent or Designated Representative: Katherine A. Woyahn

B. LOCATION INFORMATION

LOCATION AND DESCRIPTION OF PREMISES TO WHICH APPLICATION FOR EXPANSION IS MADE:

Describe additional buildings/areas where alcohol beverages are to be sold, served and stored:

Street Address & Number:

Physical description of building/area and/or land area comprising licensed premises: 850 square feet

Deck Seating for 50.

Is any other business conducted on same premises? No If so, what?

**Please attach a separate illustration or draw a diagram of physical layout on back of this application.

C. SIGNATURE OF AGENT OR REPRESENTATIVE

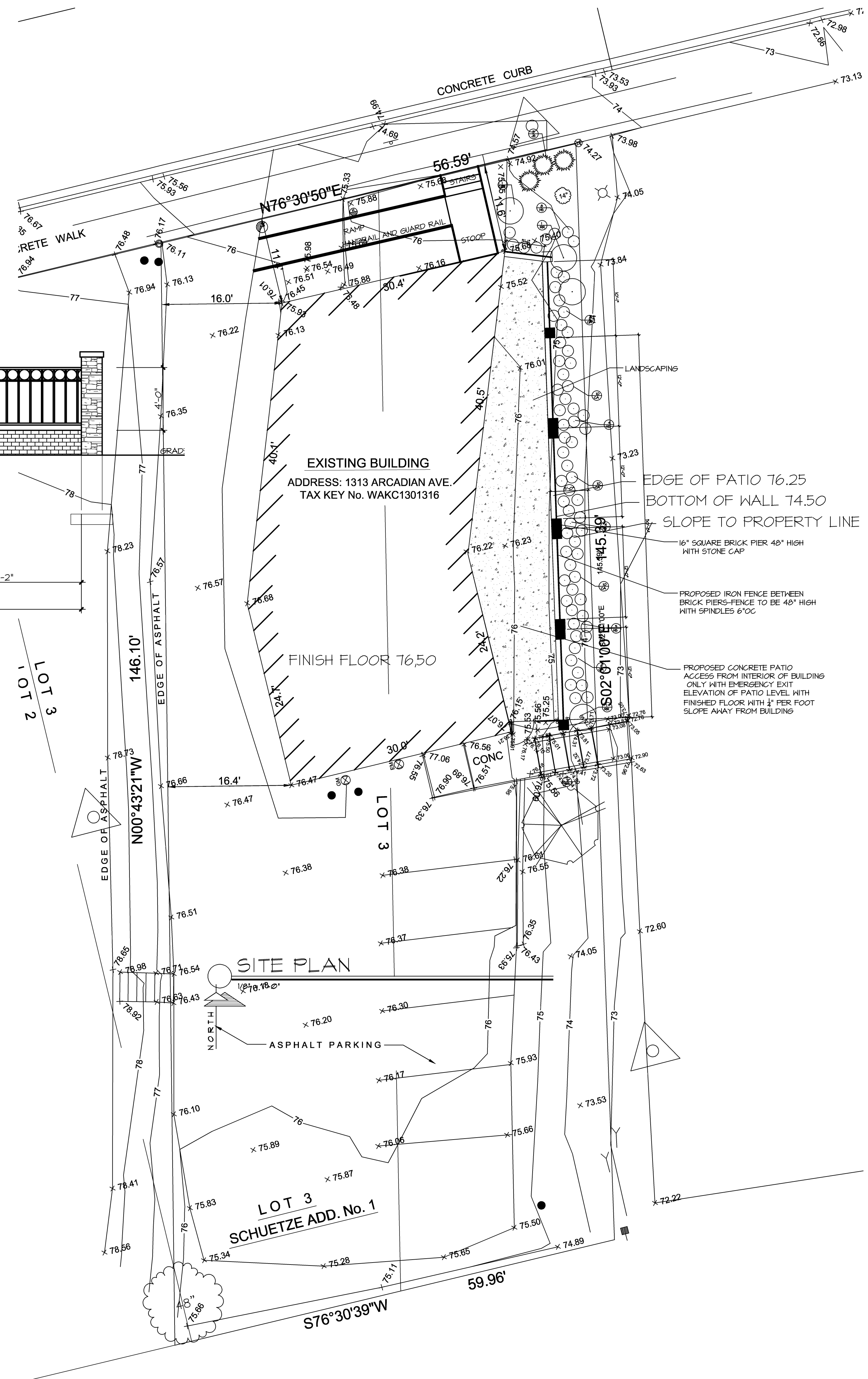
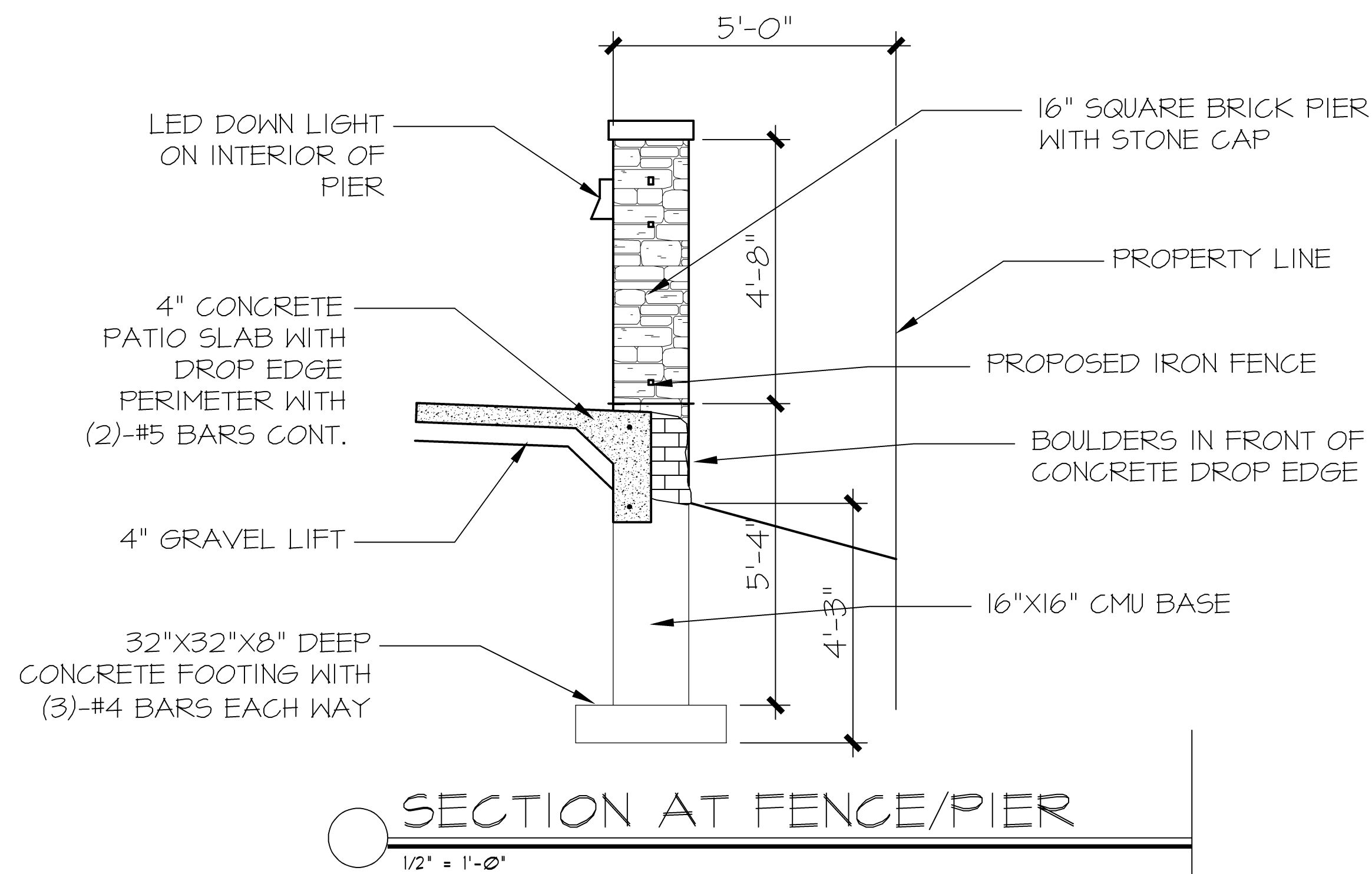
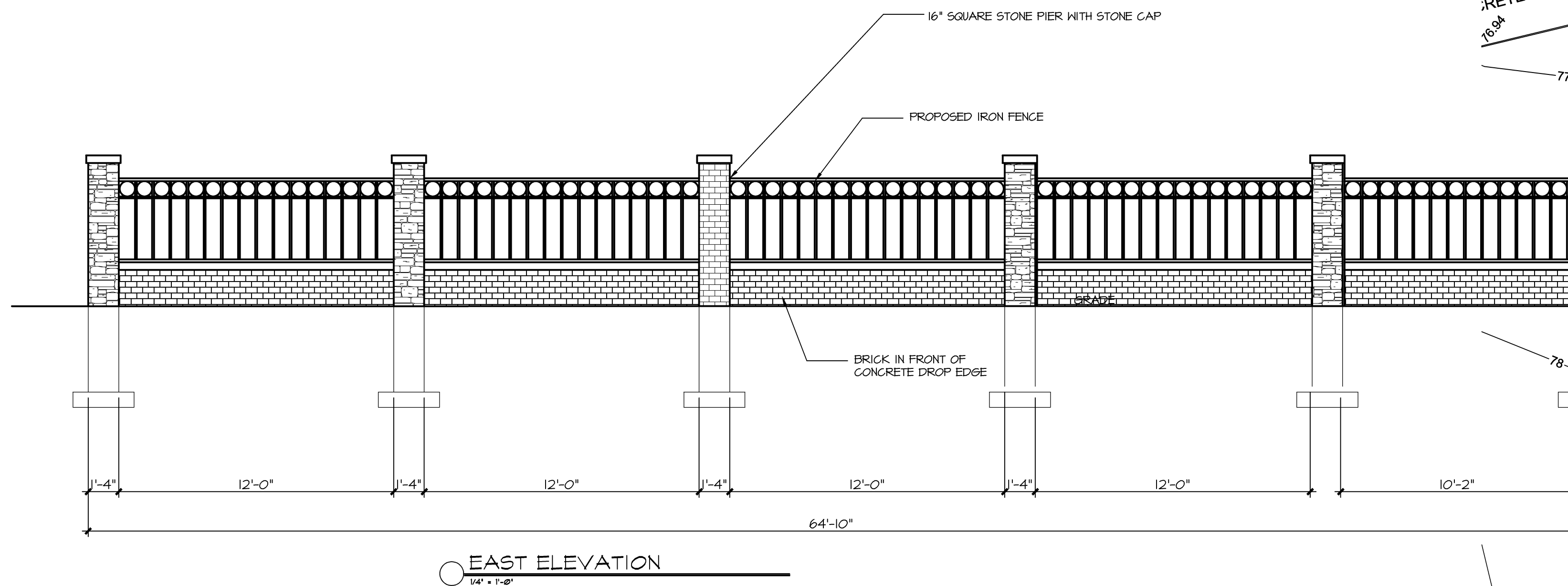
I hereby make the above application for an expansion of licensed premise as described above. I acknowledge that if this expansion is granted, the premises must comply with all applicable City and State Codes before engaging in any activity permitted by the license. I have read the above, and agree to abide by the requirements.

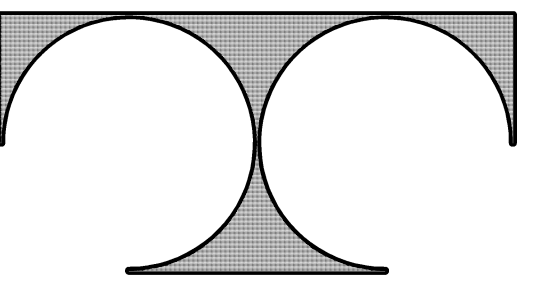
[Signature]
Signature of Agent or Representative Requesting Expansion

9/18/14
Date

Office Use Only Meeting Dates
Date Received by Clerk's Office: 9/18 Ordinance & License Date: 9/24
Date Copy Sent to Police Dept: 9/19 Common Council Date: 10/2

PLANT SCHEDULE (CONTRACTOR RESPONSIBLE FOR VERIFYING PLANT QUANTITIES)							
QUANTITY	SYMBOL	BOTANICAL NAME	COMMON NAME	MATURE SIZE	PLANTING SIZE	TYPE	
1	SR	<i>Syringa reticulata</i> 'Ivory Silk'	Ivory Silk Tree Lilac	15'-20'	B / B	7' SH	Ornamental Tree
4	RR	<i>Rosa rugosa</i> 'Dwarf Pavement'	Dwarf Pavement	2'-3'	POT	2 Gal	Deciduous Shrub
1	J5	<i>Juniperus sabina</i> 'Broadmoor'	Broadmoor Juniper	2' x 4'	POT	5 Gal	Evergreen Shrub
44	CA	<i>Calamagrostis acutiflora</i> 'Karl Foerster'	Karl Foerster Grass	42"-48"	POT	1 Gal	Ornamental Grass
21	H5	<i>Hemerocallis</i> x 'Stella D'oro'	Stella D'oro Daylily	18"-24"	POT	4 1/2"	Perennial





TDI ASSOCIATES, INC.
ARCHITECTURE, ENGINEERING, PLANNING

N8 W22350 JOHNSON DRIVE, SUITE B4
WAUKESHA, WISCONSIN 53186
PHONE 262-409-2530 FAX 262-409-2531

**BILLY D'S BAR & GRILL
PATIO ADDITION**

1313 ARCADIA AVENUE
WAUKESHA, WISCONSIN

TDI ASSOCIATES, INC.
All Rights Reserved

OWNERSHIP OF DOCUMENTS

This document, and the ideas and design incorporated herein, as an instrument of professional service, is the sole property of TDI Associates, Inc., and is not to be used in whole or in part for any other project or purpose without the expressed written authorization of TDI Associates, Inc.

Sheet Title
FLOOR PLAN

Issued For: Date:
8-7-2018 EXIT GATE ADDED

Date: **7-20-18**

Job NO.: **17-340.000**

Drawn By:

Sheet No.

A1.1

